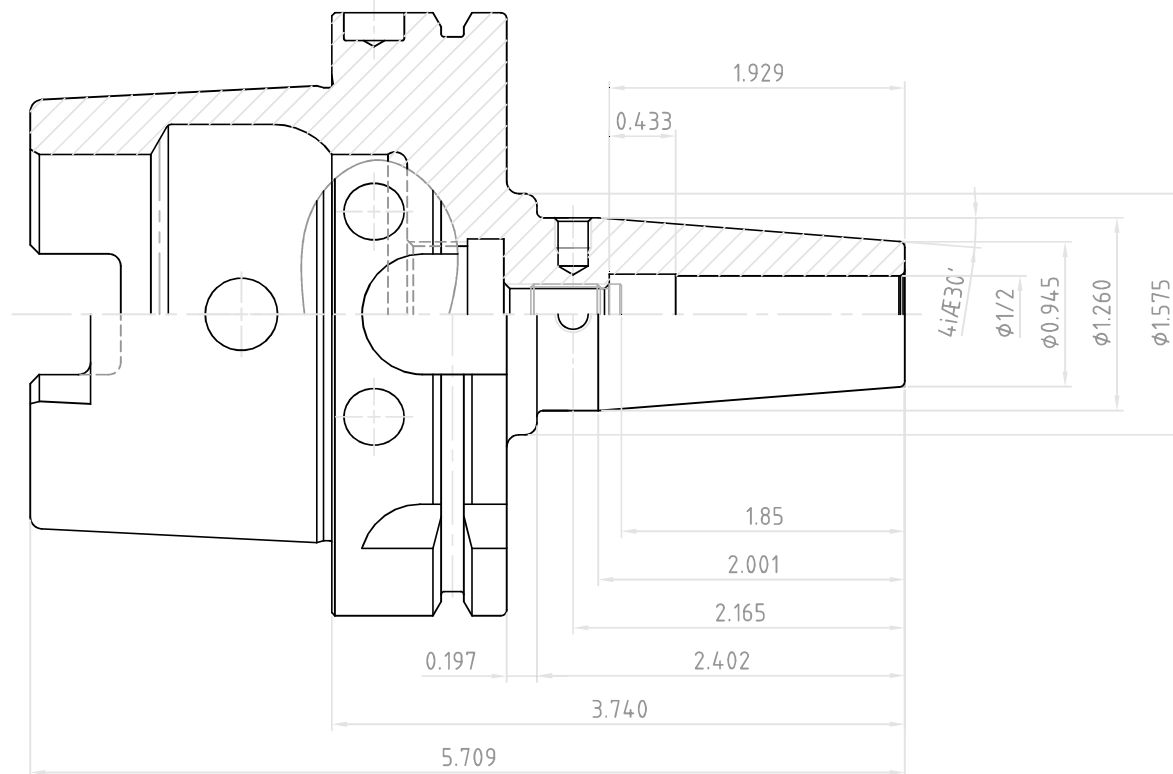


| NO. | REVISIONS | DATE | DEVISER |
|-----|-----------|------|---------|
| 1. | | | |
| 2. | | | |
| 3. | | | |



| | | | |
|--|----------------------------------|-------|-------|
|  YG-1 CO., LTD. | SSK CONTROL NUMBER | | |
| | HSK100A-SFH1/2(12.700)-3.740(95) | | |
| EDP No. | VR028 | SCALE | 1 : 1 |