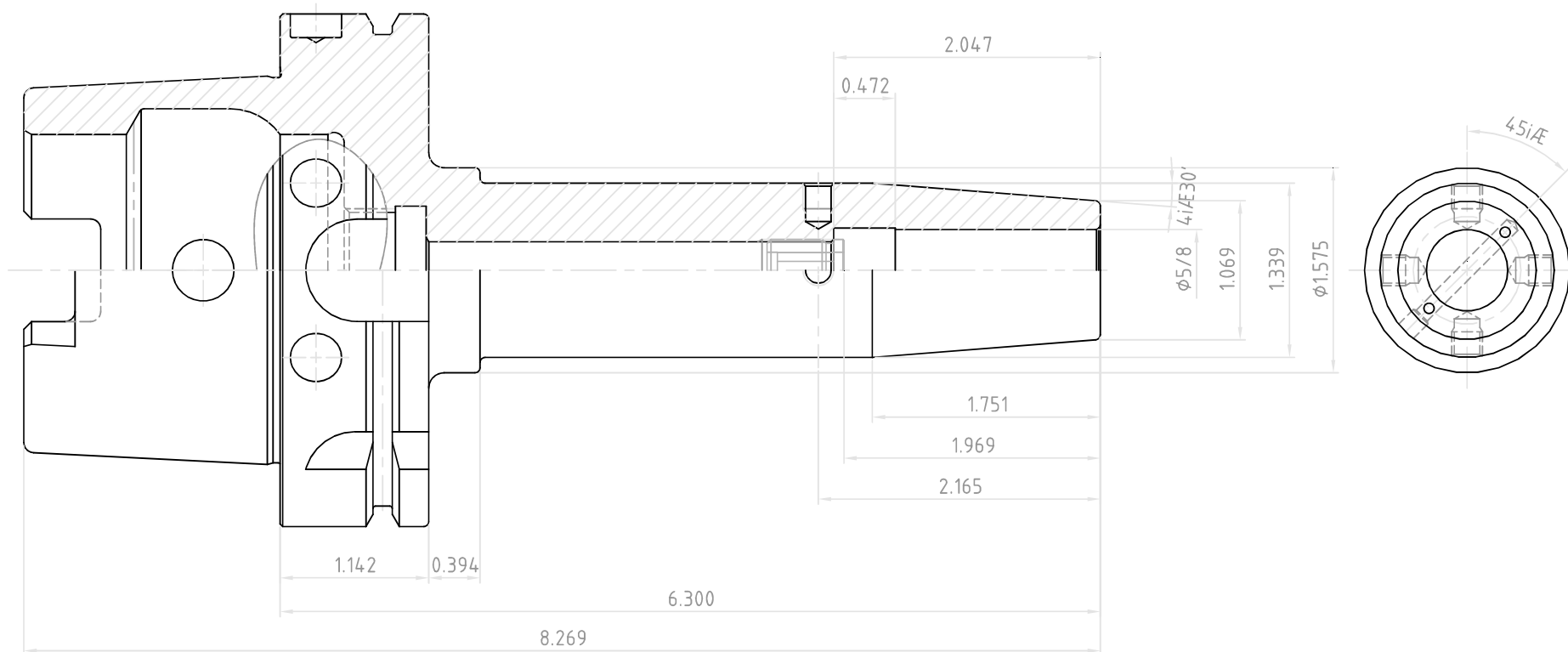
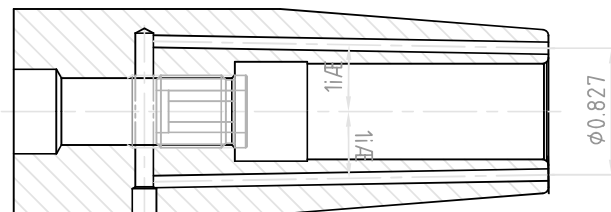


NO.	REVISIONS	DATE	DEVISER
1.			
2.			
3.			



	SSK CONTROL NUMBER	
	HSK100A-SFH5/8(15.875)C-6.300(160)	
	EDP No.	VR034J
	SCALE	1 : 1