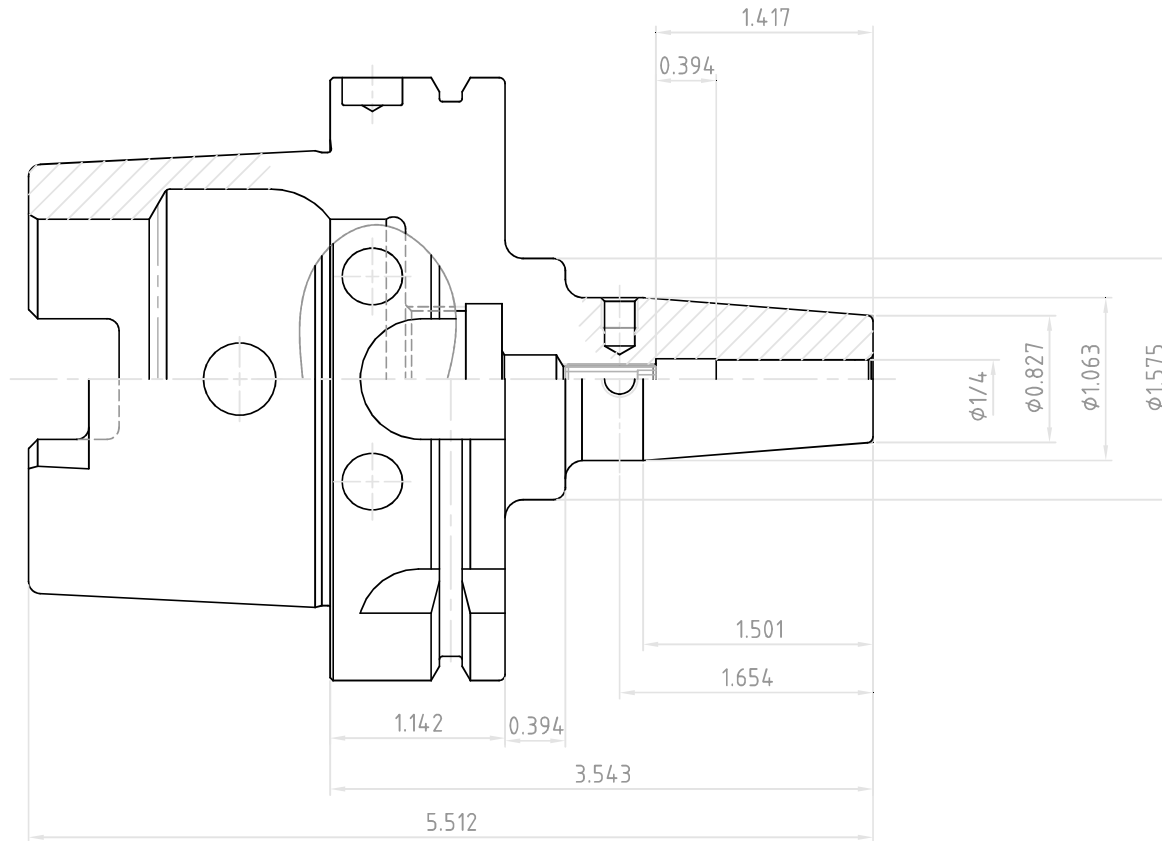


NO.	REVISIONS	DATE	DEVISER
1.			
2.			
3.			



 YG-1 CO., LTD.	SSK CONTROL NUMBER		
	HSK100A-SFH1/4(6.350)-3.543(90)		
EDP No.	VR023J	SCALE	1 : 1