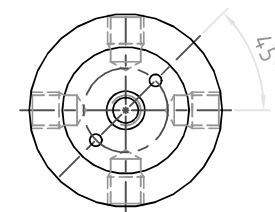
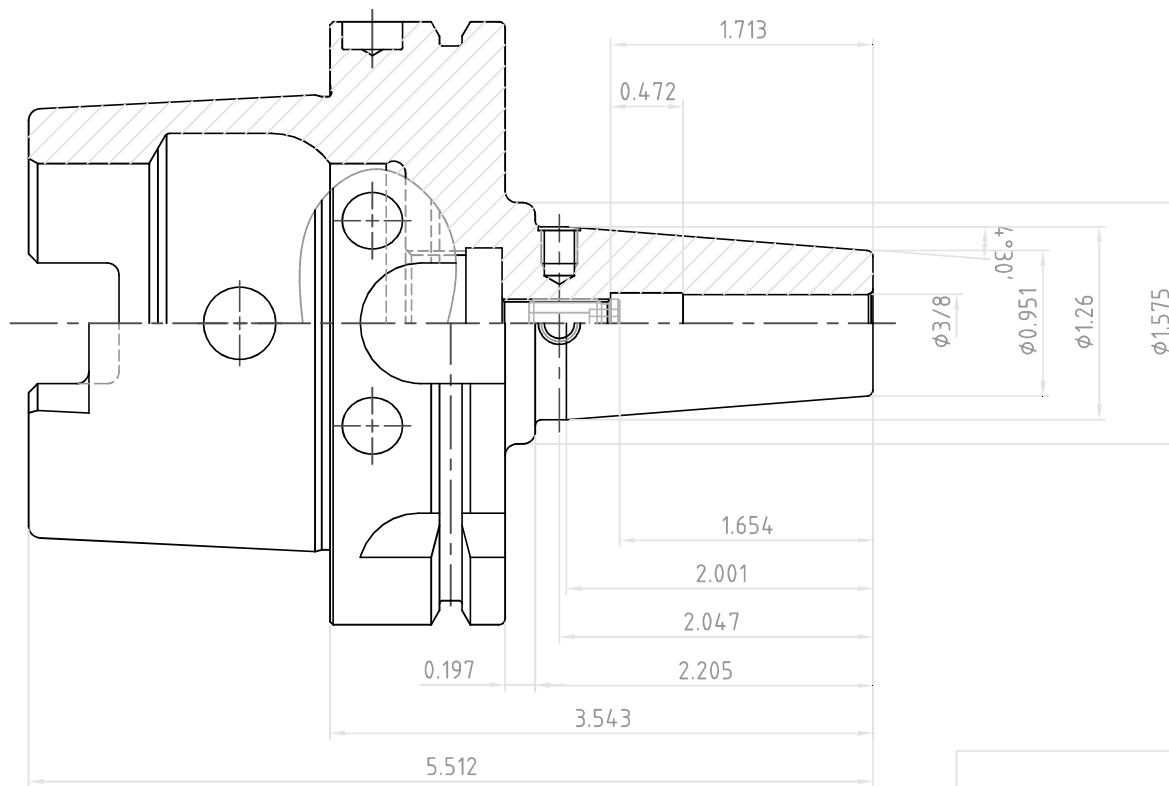
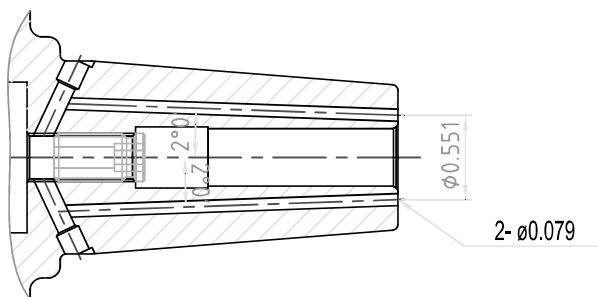



NO.	REVISIONS	DATE	DEVISER
1.			
2.			
3.			



 YG-1 CO., LTD.	SSK CONTROL NUMBER	
	HSK100A-SFH3/8(9.525)C-3.543(90)	
	EDP No.	VR024J SCALE 1 : 1