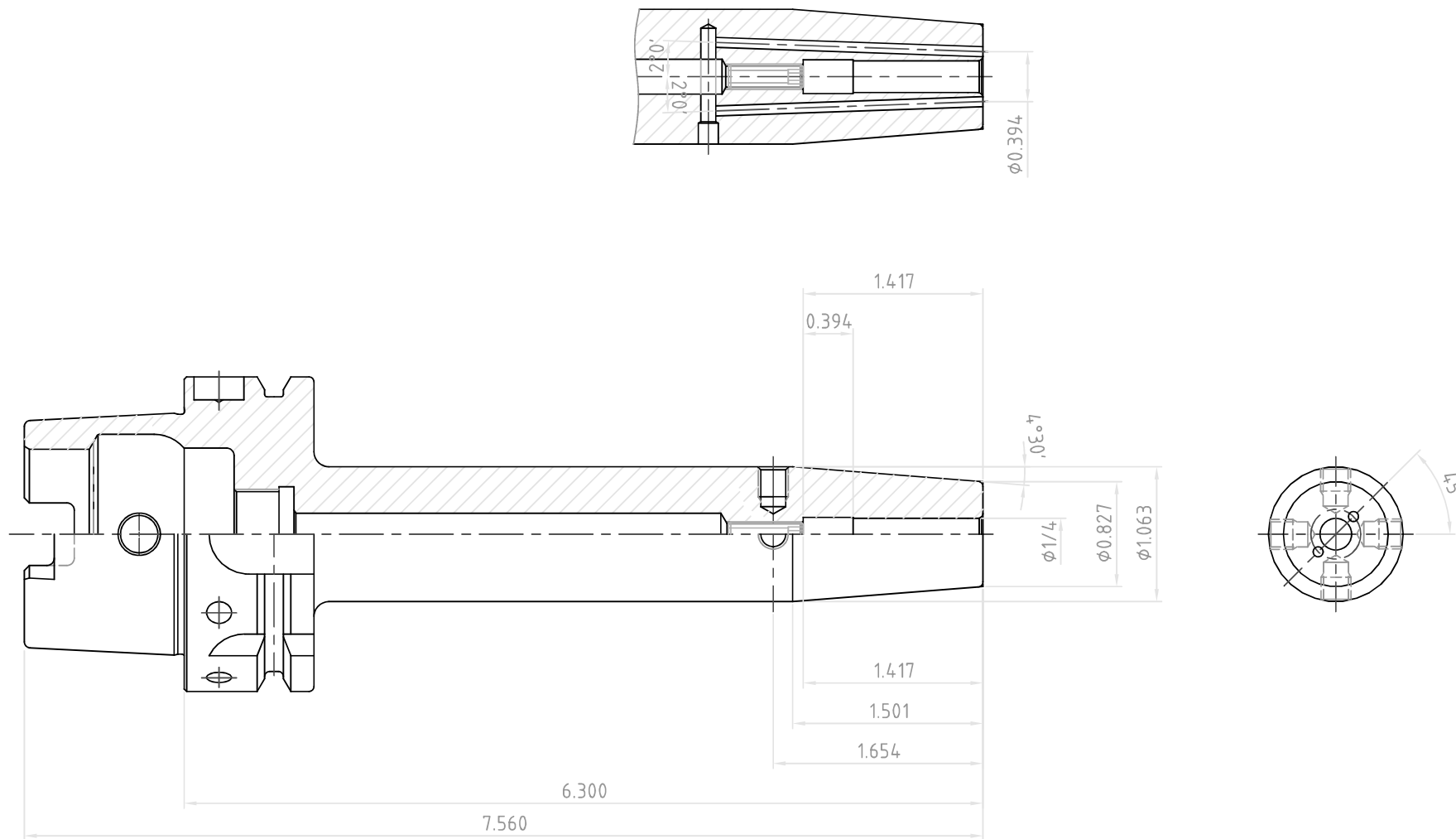


NO.	REVISIONS	DATE	DEVISER
1.			
2.			
3.			



 YG-1 CO., LTD.	SSK CONTROL NUMBER		
	HSK63A-SFH1/4(6.350)-6.30(160)		
EDP No.	VQ026J	SCALE	1 : 1