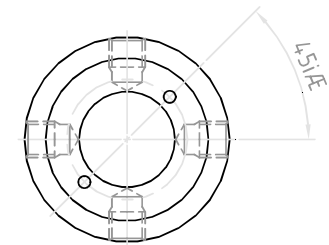
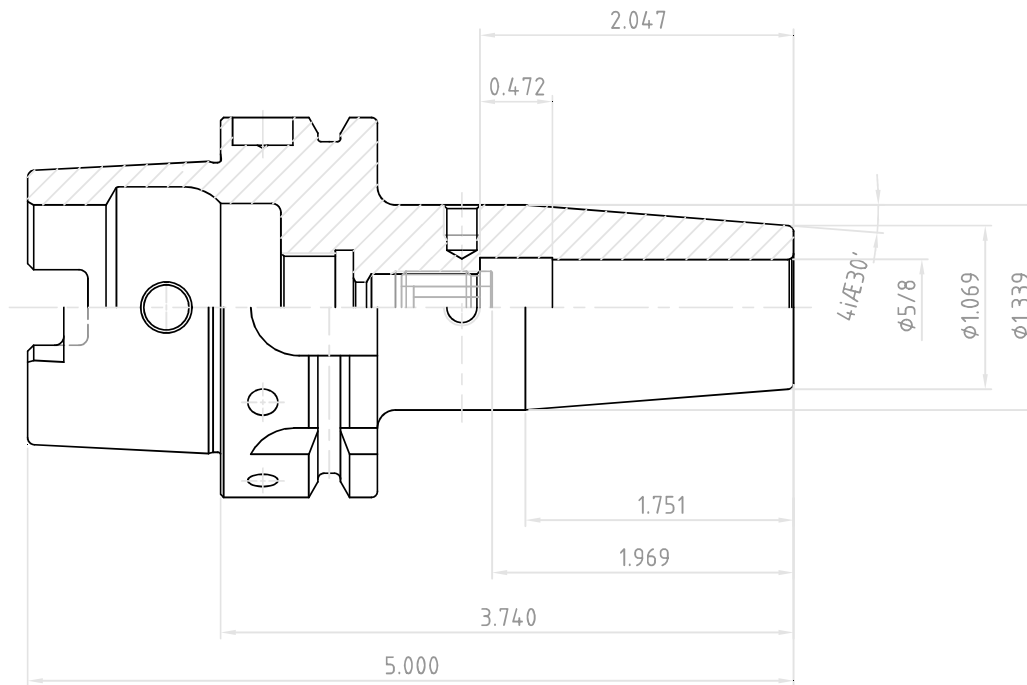


| NO. | REVISIONS | DATE | DEVISER |
|-----|-----------|------|---------|
| 1.  |           |      |         |
| 2.  |           |      |         |
| 3.  |           |      |         |



|  |                                  |       |       |
|--|----------------------------------|-------|-------|
|  YG-1 CO., LTD. | SSK CONTROL NUMBER               |       |       |
|  | HSK63A-SFH5/8(15.875)C-3.740(95) |       |       |
| EDP No.  | VQ036J                           | SCALE | 1 : 1 |