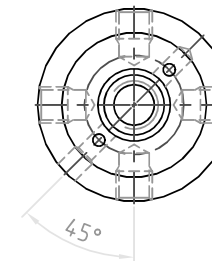
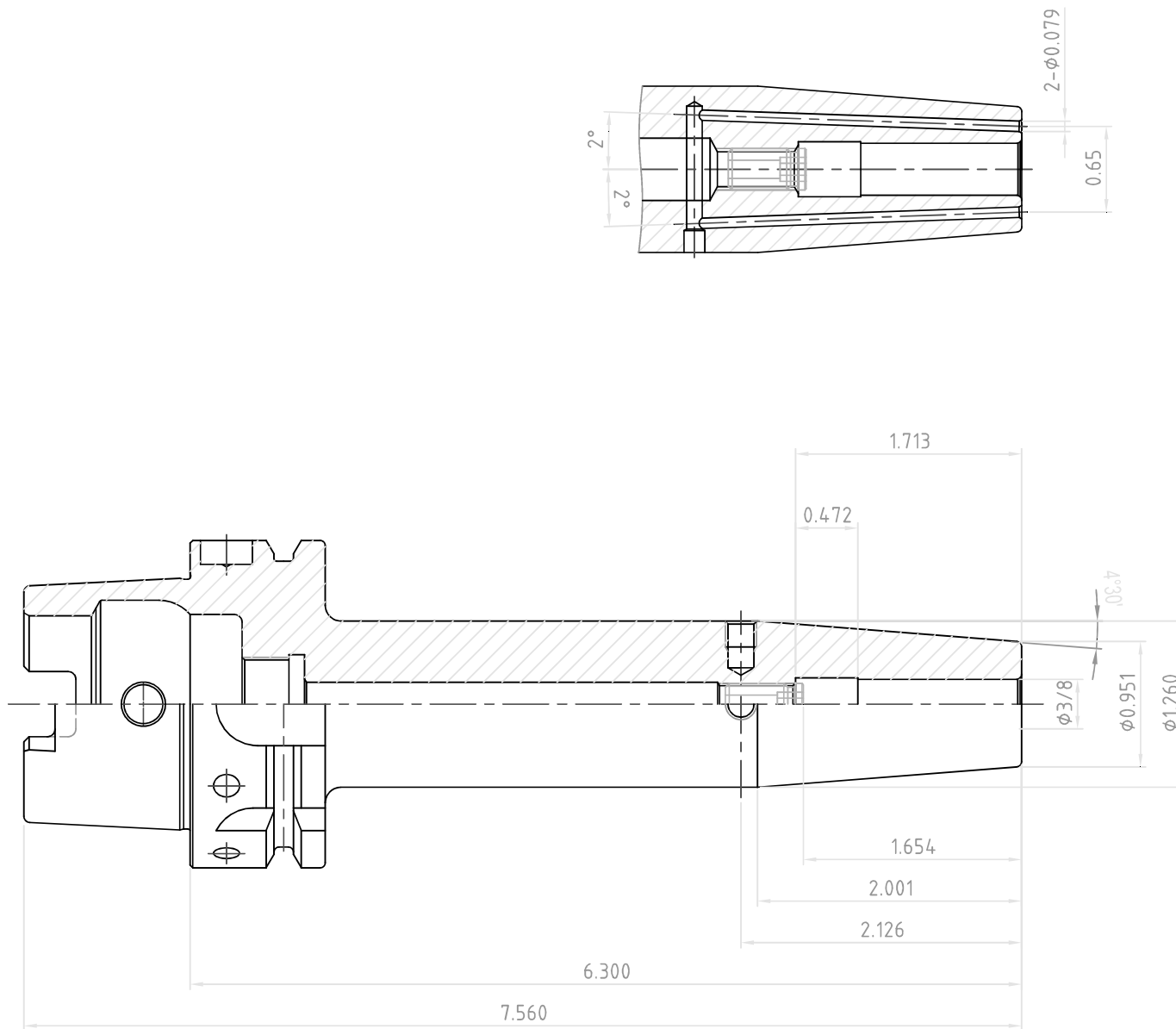


NO.	REVISIONS	DATE	DEVISER
1.			
2.			
3.			



<b>SSK</b> SSK TOOL CO.,LTD.	SSK CONTROL NUMBER		
	HSK63A-SFH3/8(9.525)C-6.300(160)		
	EDP No.	VQ030J	SCALE 1 : 1