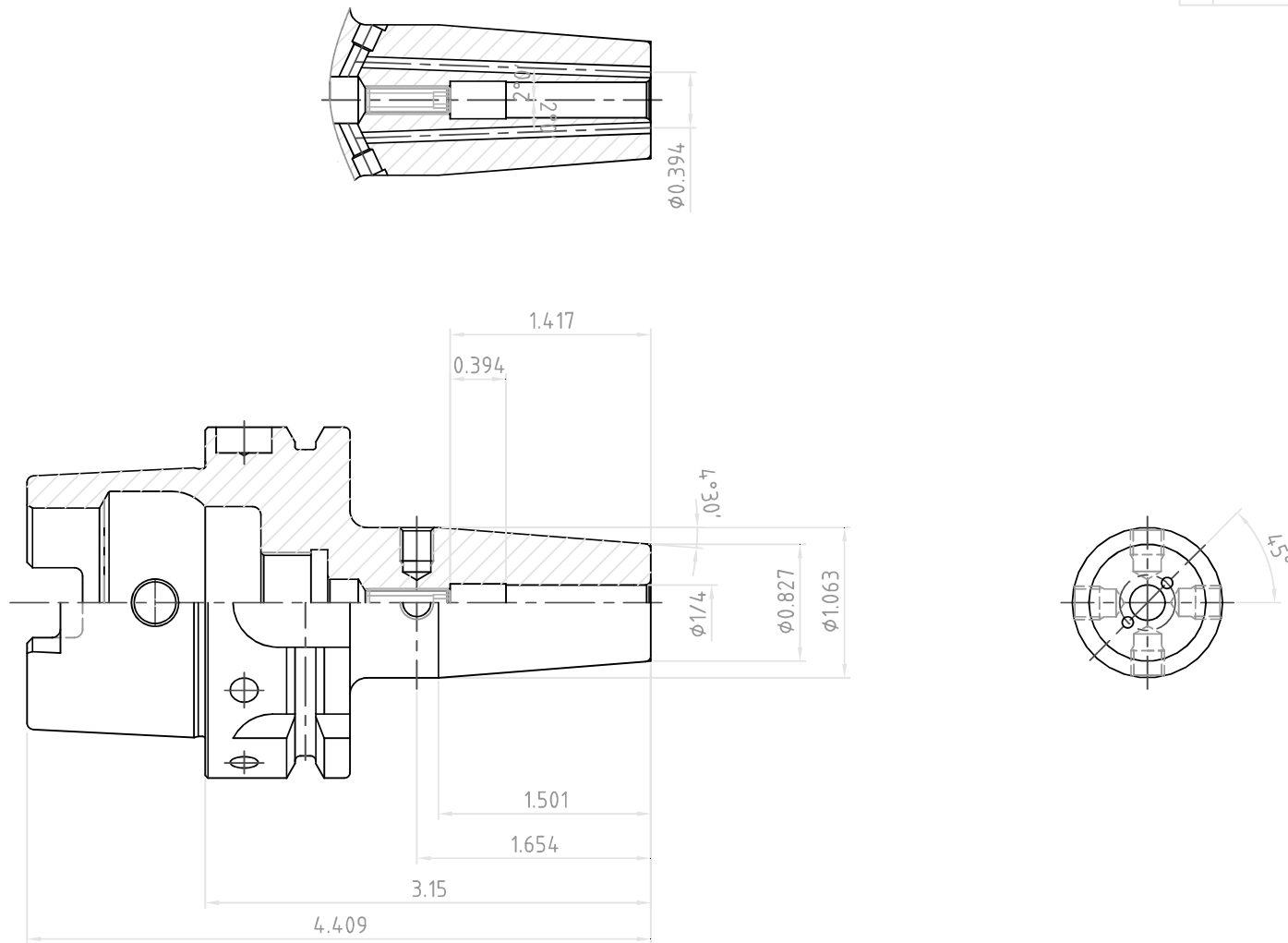


NO.	REVISIONS	DATE	DEVISER
1.			
2.			
3.			



	SSK CONTROL NUMBER		
	HSK63A-SFH1/4(6.350)C-3.15(80)		
	EDP No.	VQ024J	SCALE 1 : 1