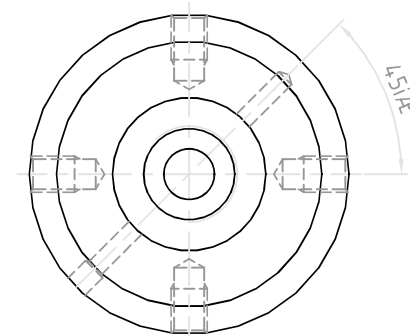
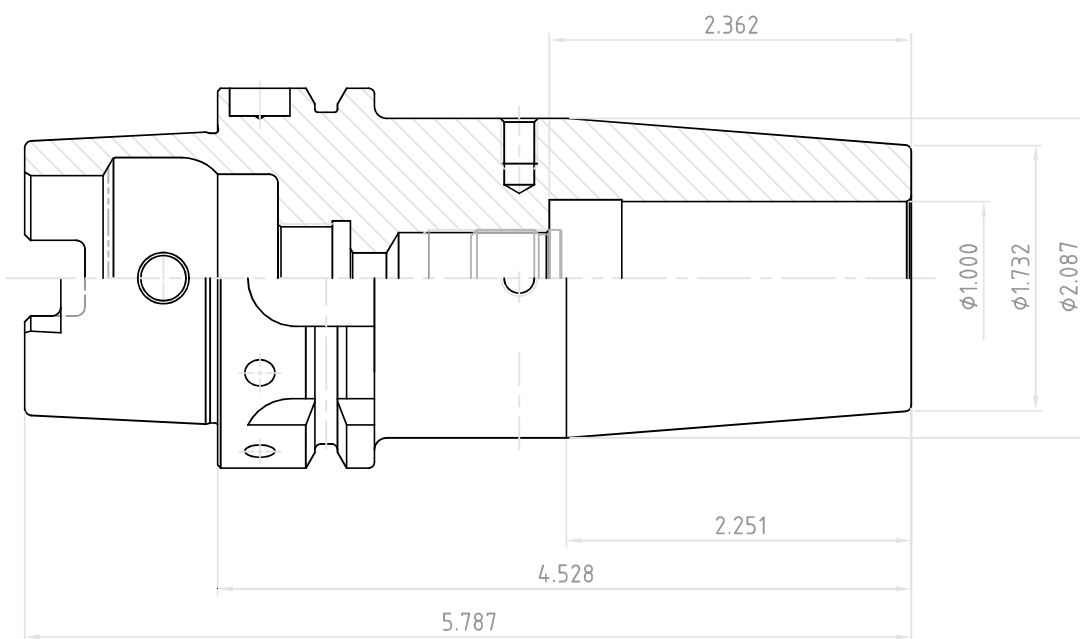
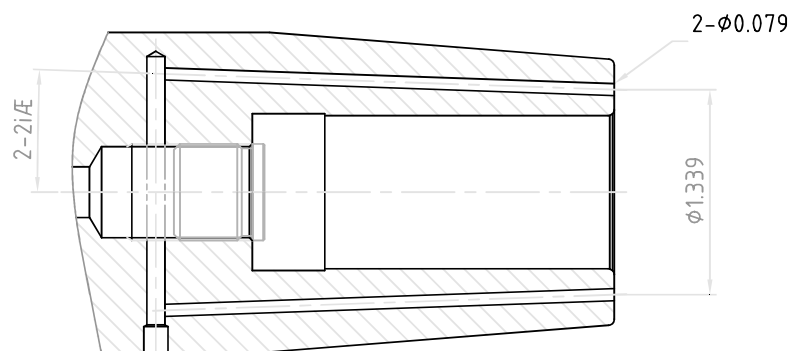


NO.	REVISIONS	DATE	DEVISER
1.			
2.			
3.			



 YG-1 CO., LTD.	SSK CONTROL NUMBER	
	HSK63A-SFH1.000(25.4)C-4.528(115)	
	EDP No.	VQ046J
	SCALE	1 : 1