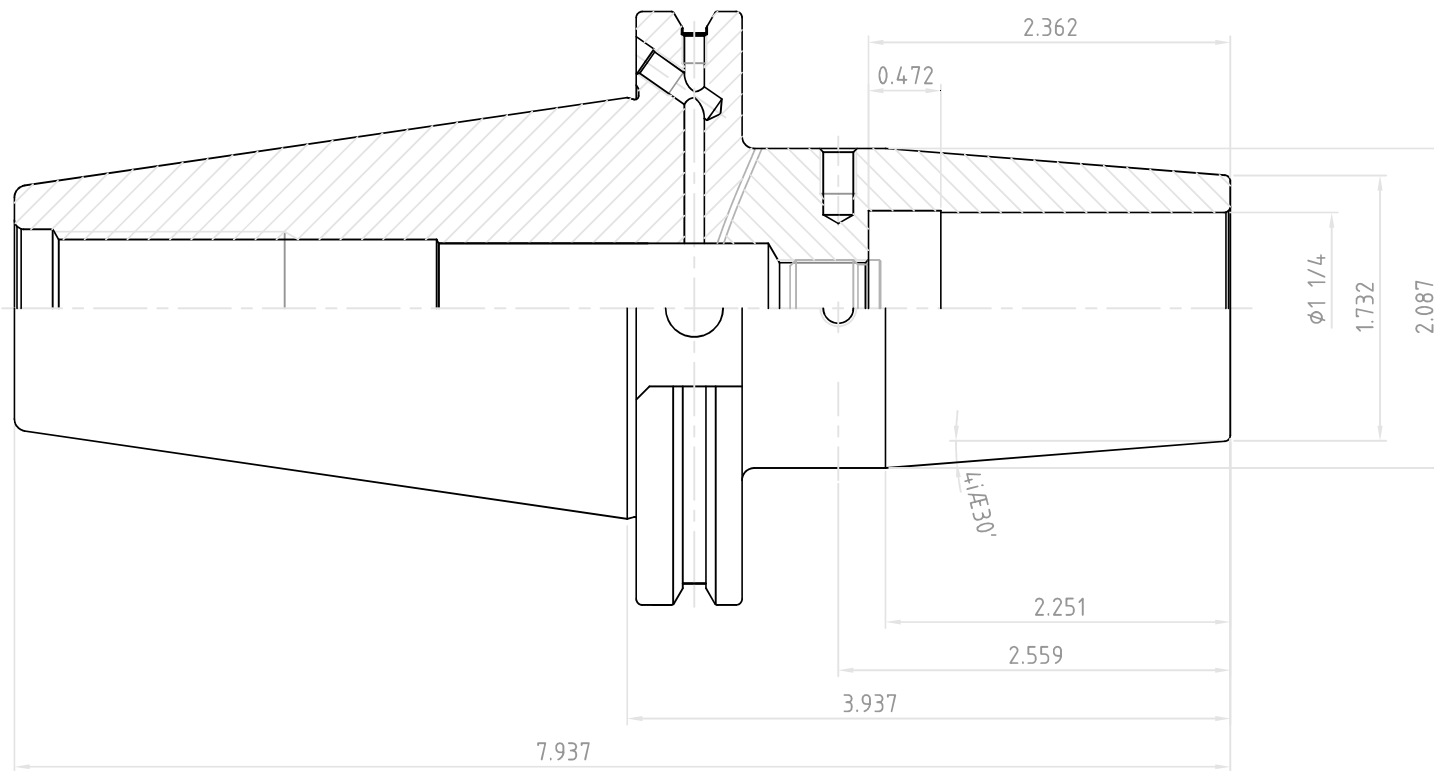


NO.	REVISIONS	DATE	DEVISER
1.			
2.			
3.			



 YG-1 CO., LTD.	SSK CONTROL NUMBER	
	CCT50AD/B-SFH1 1/4(31.750)-3.937(100)	
EDP No.	VC050	SCALE 1 : 1