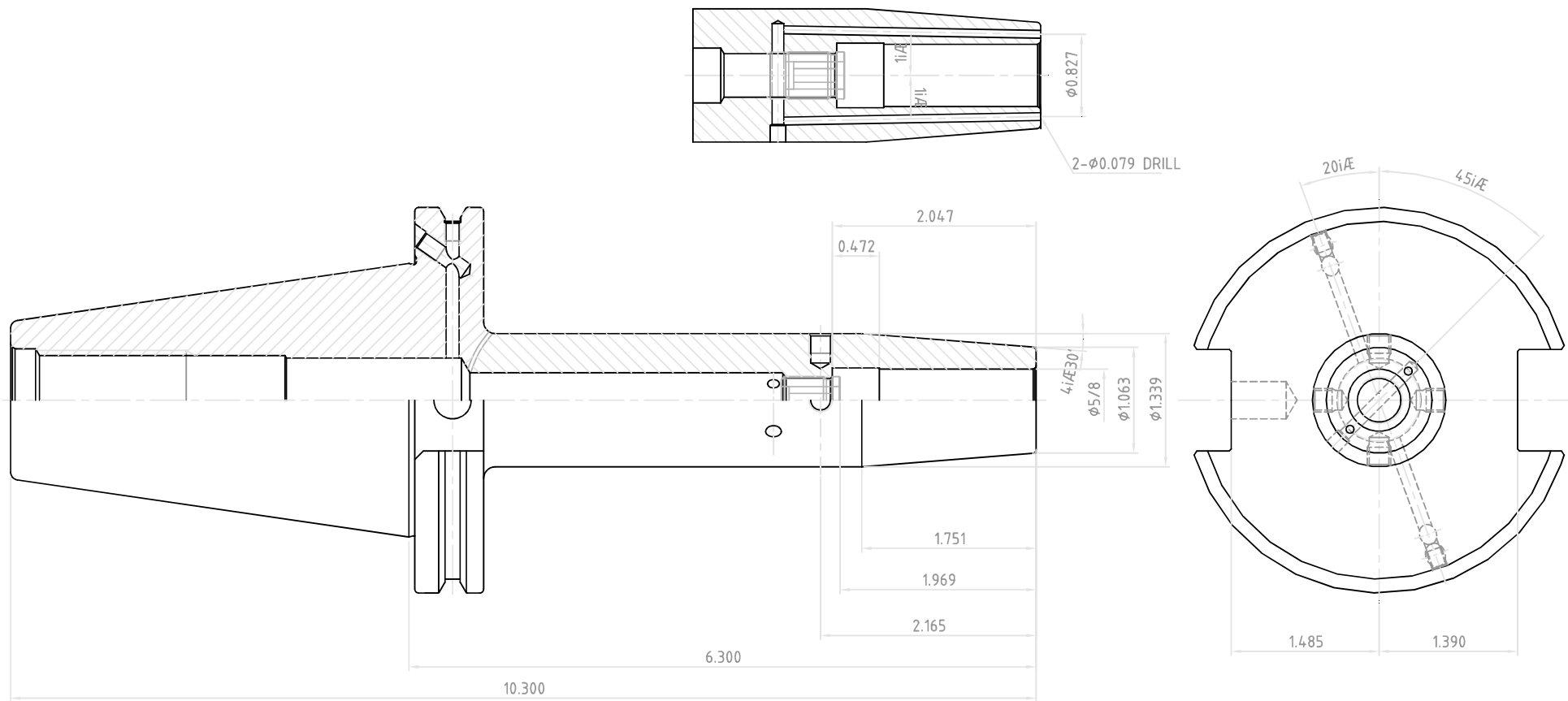



NO.	REVISIONS	DATE	DEVISER
1.			
2.			
3.			



 YG-1 CO., LTD.	SSK CONTROL NUMBER		
	CCT50AD/B-SFH5/8(15.875)C-6.30(160		
EDP No.	VC040J	SCALE	1 : 1