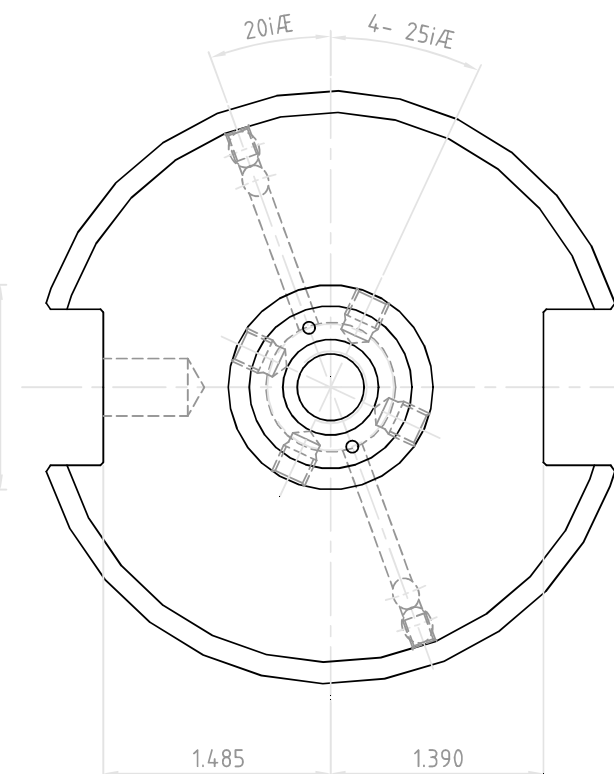
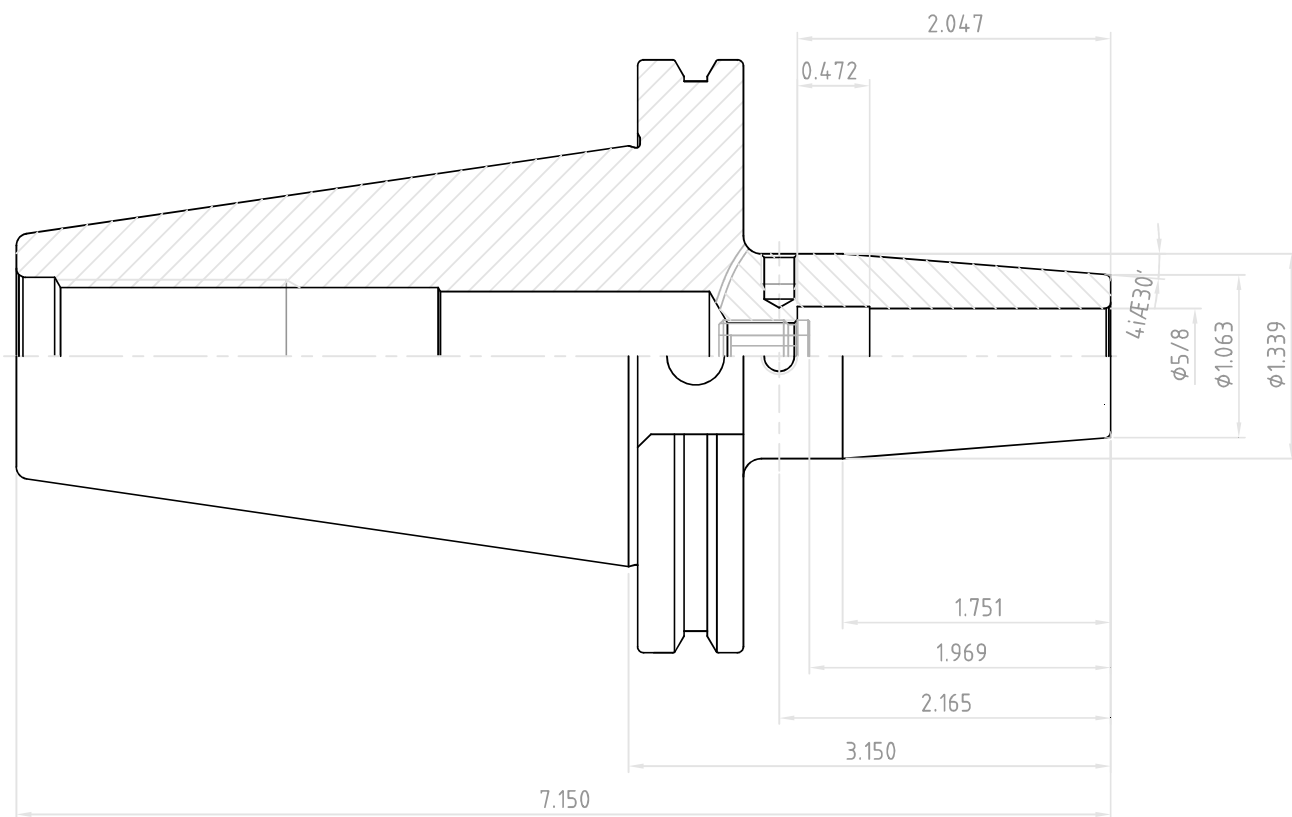
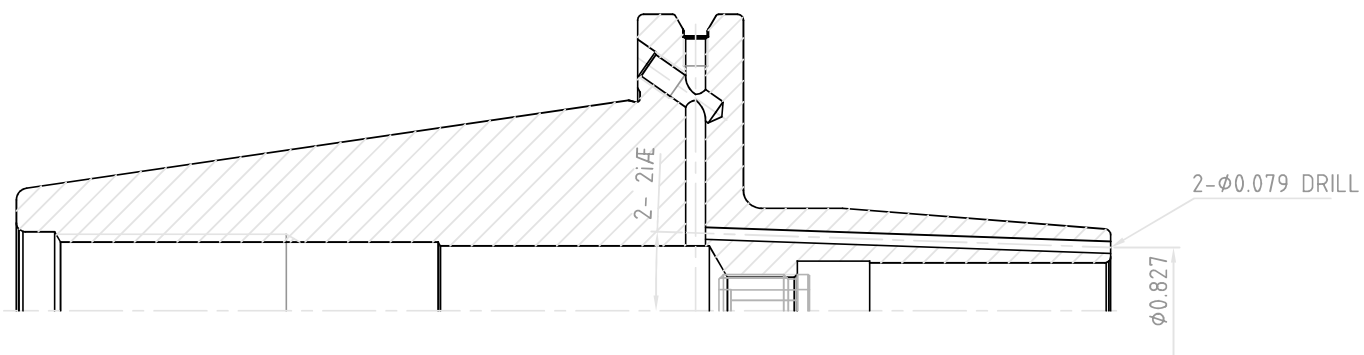


NO.	REVISIONS	DATE	DEVISER
1.			
2.			
3.			



YG YG-1 CO., LTD.

SSK CONTROL NUMBER

CCT50AD/B-SFH5/8(15.875)C-3.150(80)

EDP No. VC036J SCALE 1 : 1