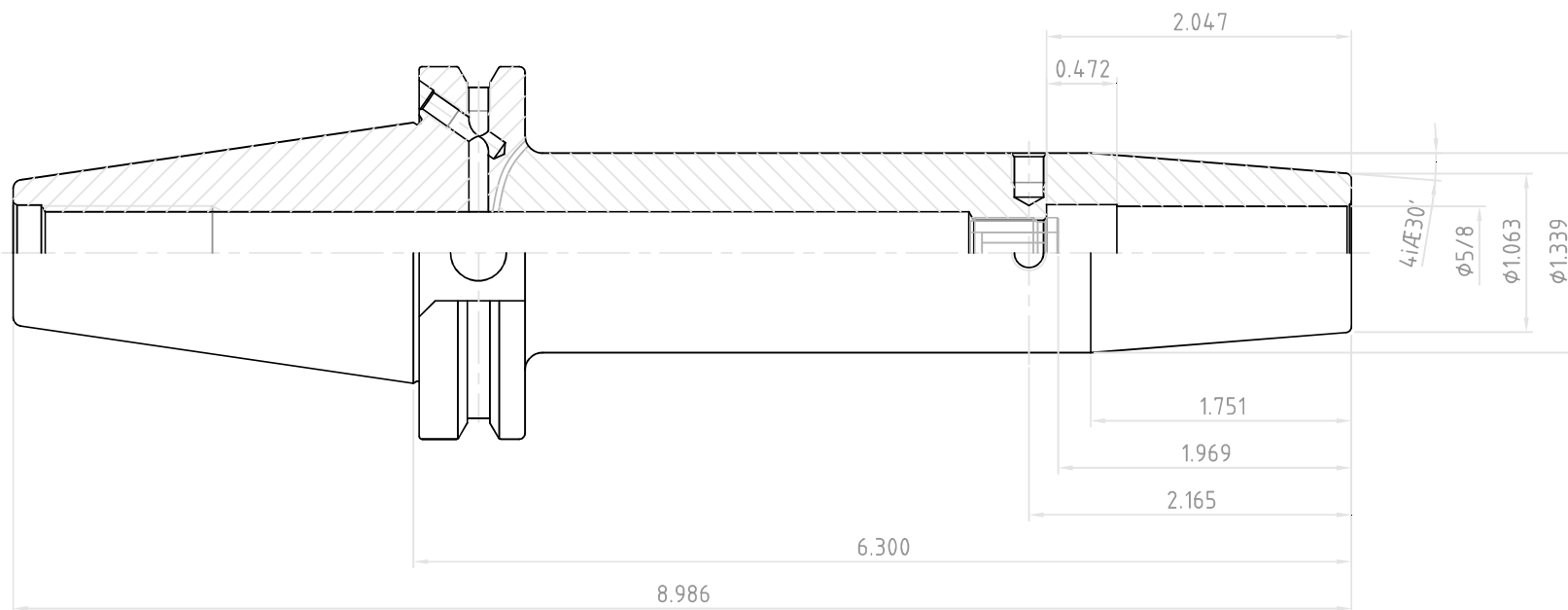



NO.	REVISIONS	DATE	DEVISER
1.			
2.			
3.			



 <b>YG-1 CO., LTD.</b>	SSK CONTROL NUMBER	
	CCT40AD/B-SFH5/8(15.875)-6.300(160)	
	EDP No.	VB038
	SCALE	1 : 1