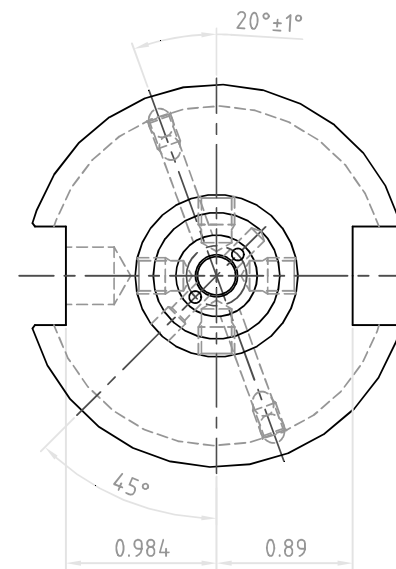
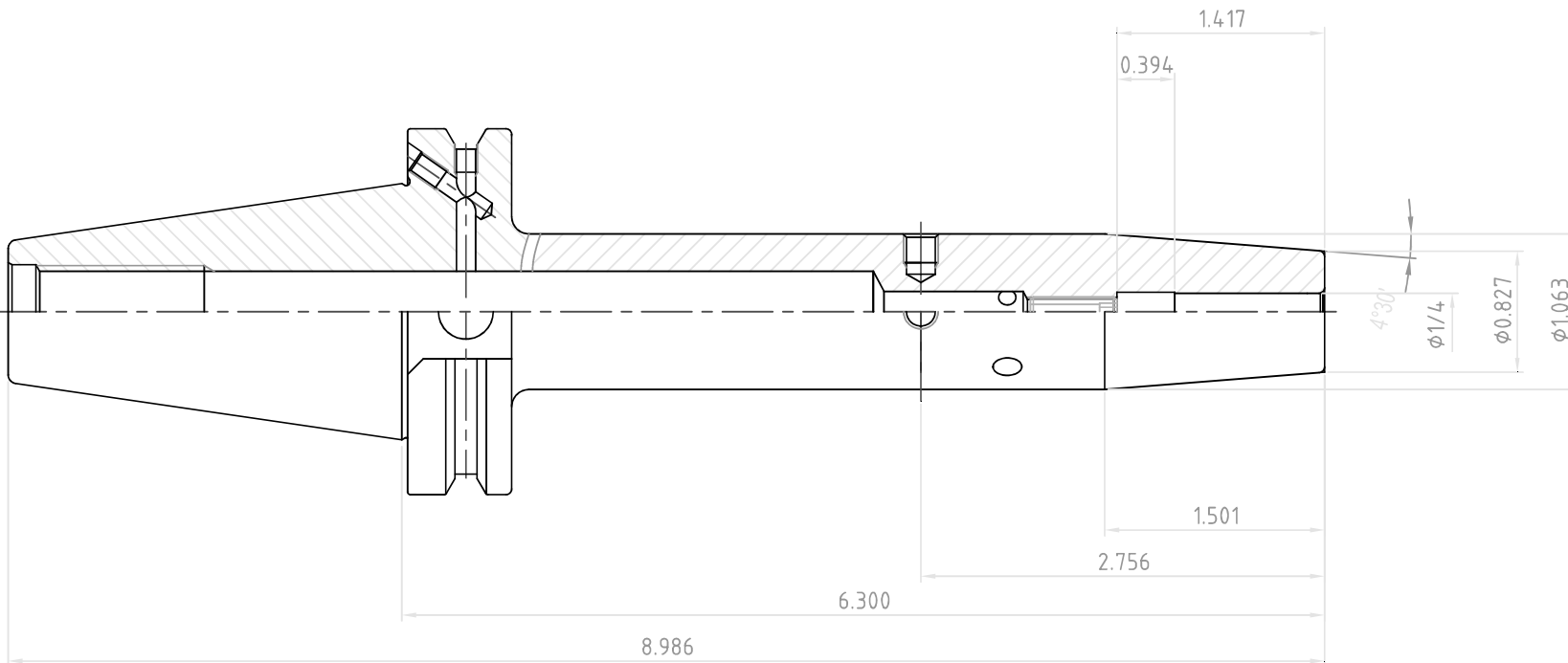
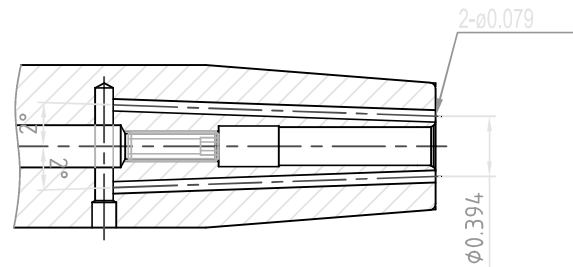


NO.	REVISIONS	DATE	DEVISER
1.			
2.			
3.			



SSK
SSK TOOL CO.,LTD.

SSK CONTROL NUMBER

CCT40AD/B-SFH1/4(6.350)C-6.300(160)

EDP No. VB026J SCALE 1 : 1