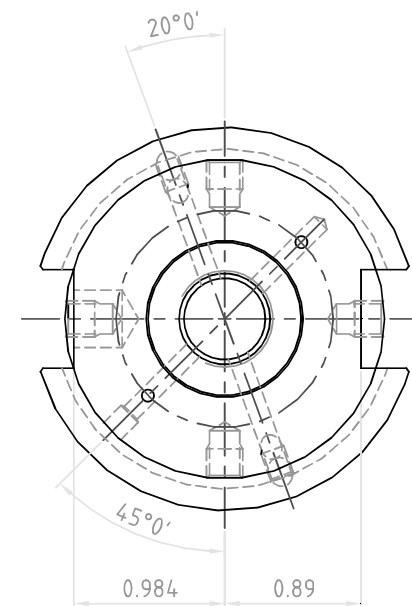
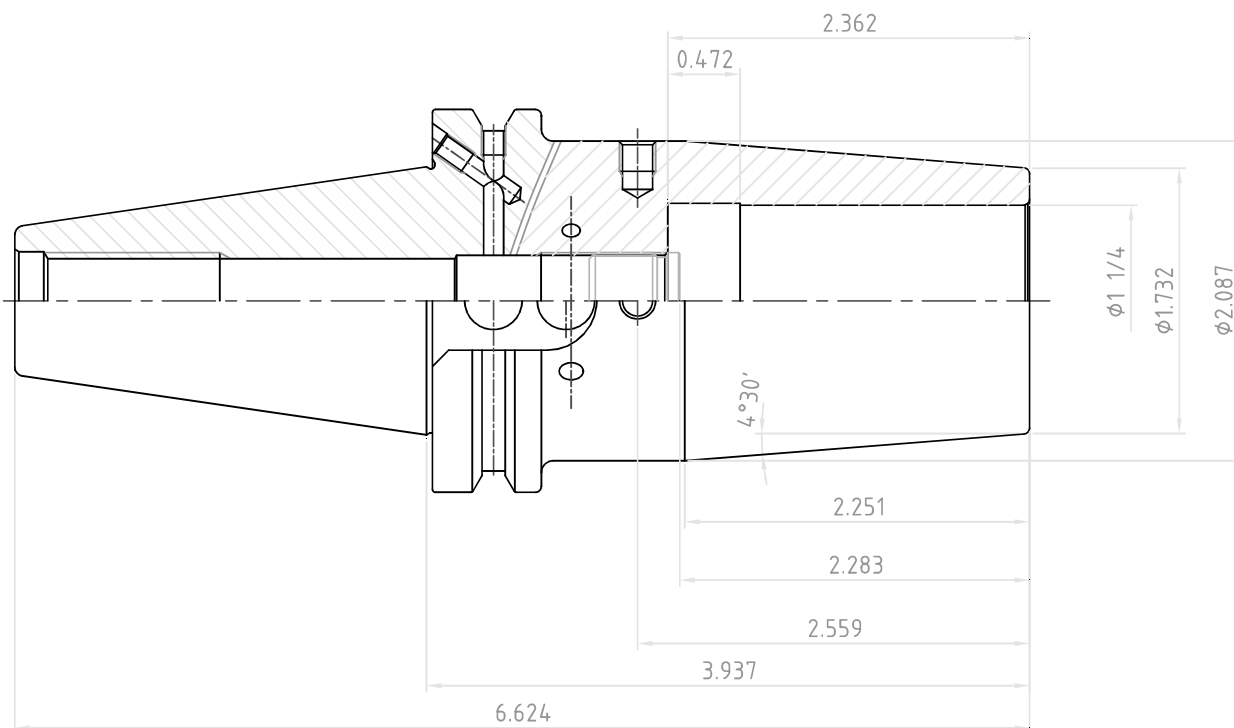
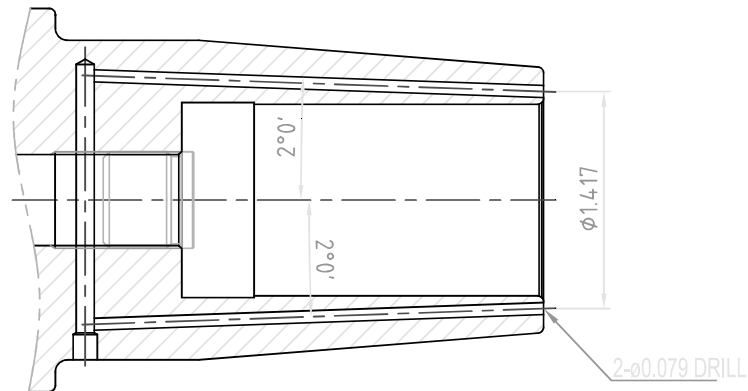



NO.	REVISIONS	DATE	DEVISER
1.			
2.			
3.			



 YG-1 CO., LTD.	SSK CONTROL NUMBER		
	CCT40AD/B-SFH1 1/4(31.750)C-3.937(100)		
	EDP No.	VB048J	SCALE 1 : 1