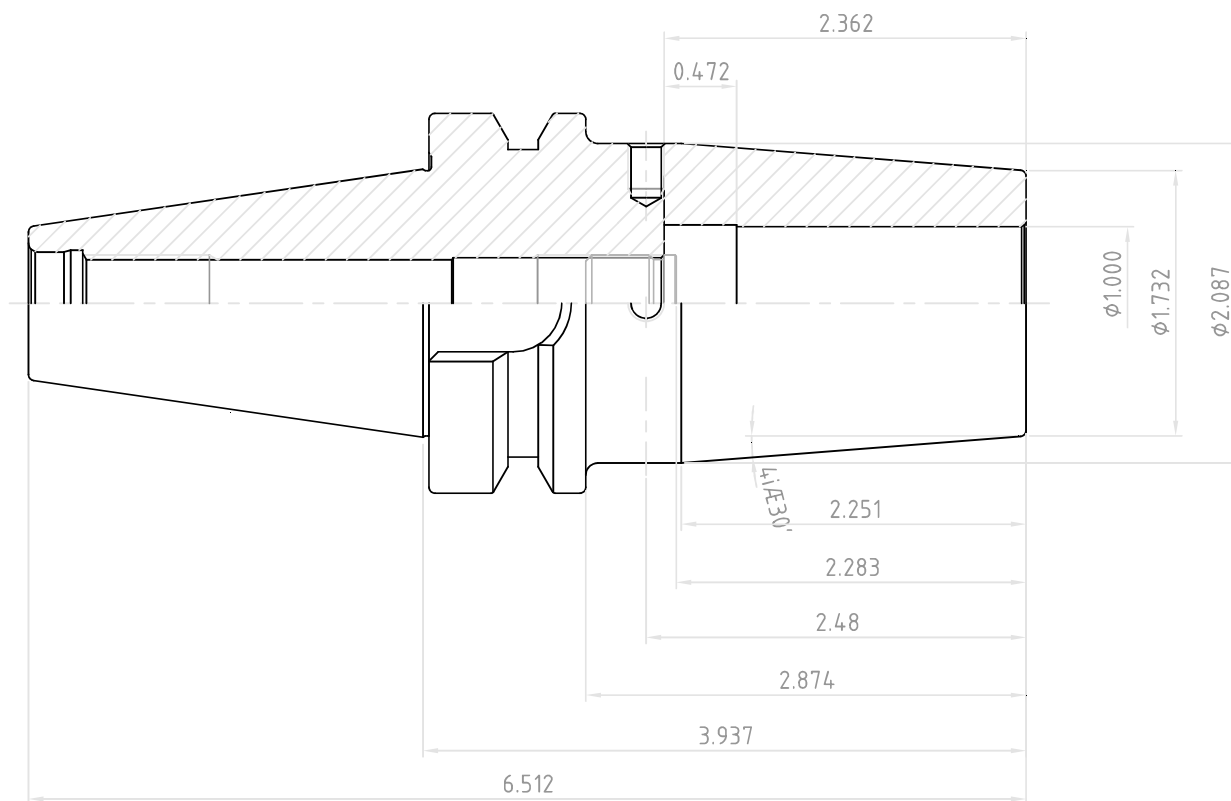



NO.	REVISIONS	DATE	DEVISER
1.			
2.			
3.			



 YG-1 CO., LTD.	SSK CONTROL NUMBER		
	CBT40-SFH1.000(25.400)-3.937(100)		
EDP No.	VE044	SCALE	1 : 1