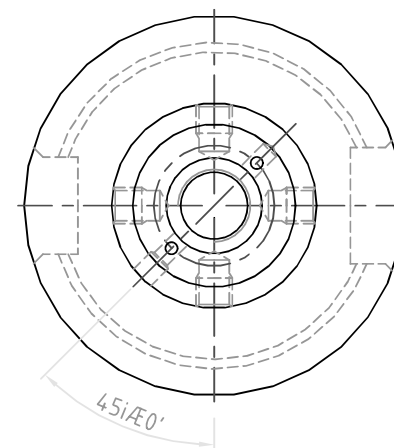
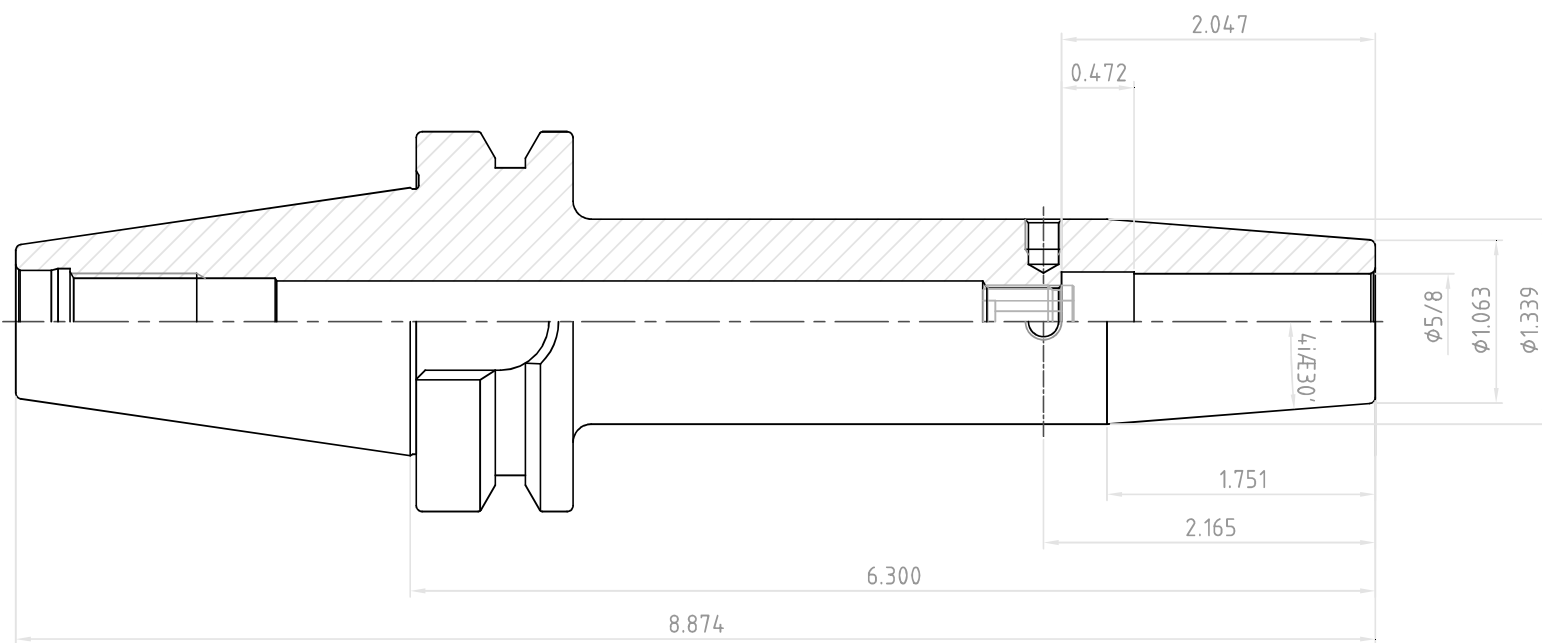
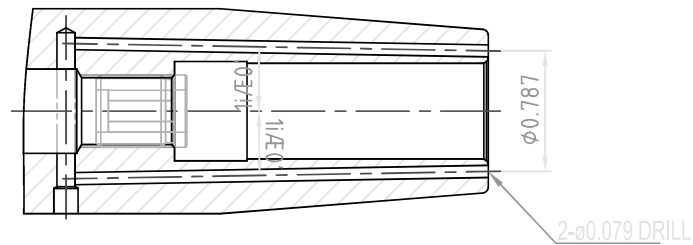



NO.	REVISIONS	DATE	DEVISER
1.			
2.			
3.			



 YG-1 CO., LTD.	SSK CONTROL NUMBER		
	CBT40-SFH5/8(15.875)C-6.30(160)		
	EDP No.	VE038J	SCALE 1 : 1