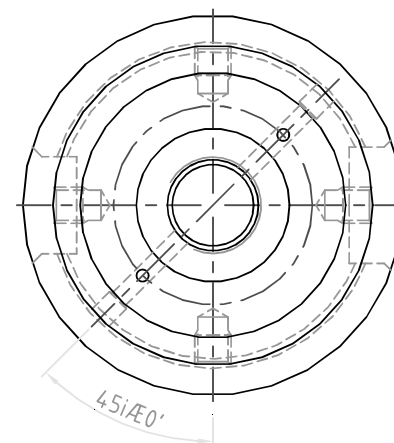
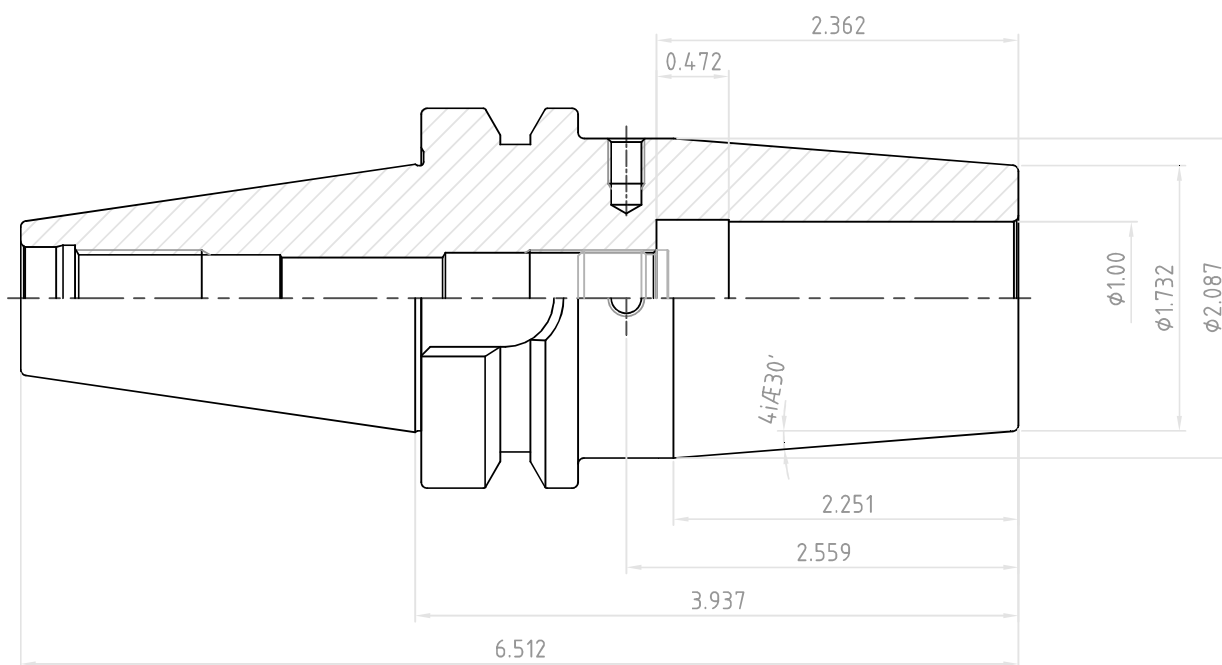
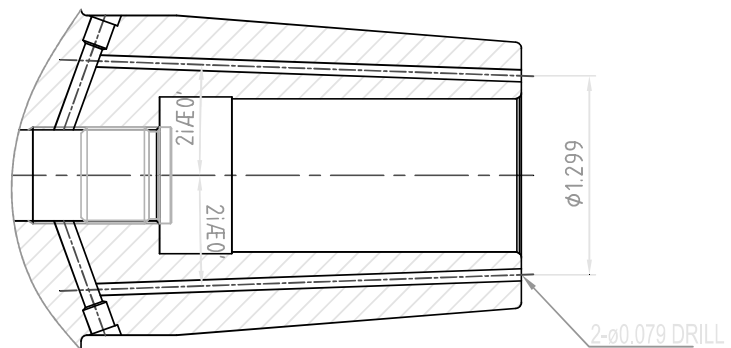



| NO. | REVISIONS | DATE | DEVISER |
|-----|-----------|------|---------|
| 1. | | | |
| 2. | | | |
| 3. | | | |



| | | | |
|--|----------------------------------|--------|-------------|
|  YG-1 CO., LTD. | SSK CONTROL NUMBER | | |
| | CBT40-SFH1.00(25.40)C-3.937(100) | | |
| | EDP No. | VE044J | SCALE 1 : 1 |