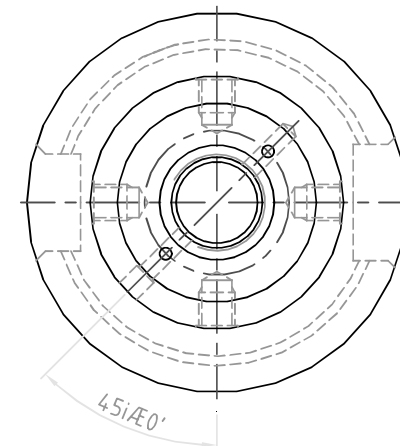
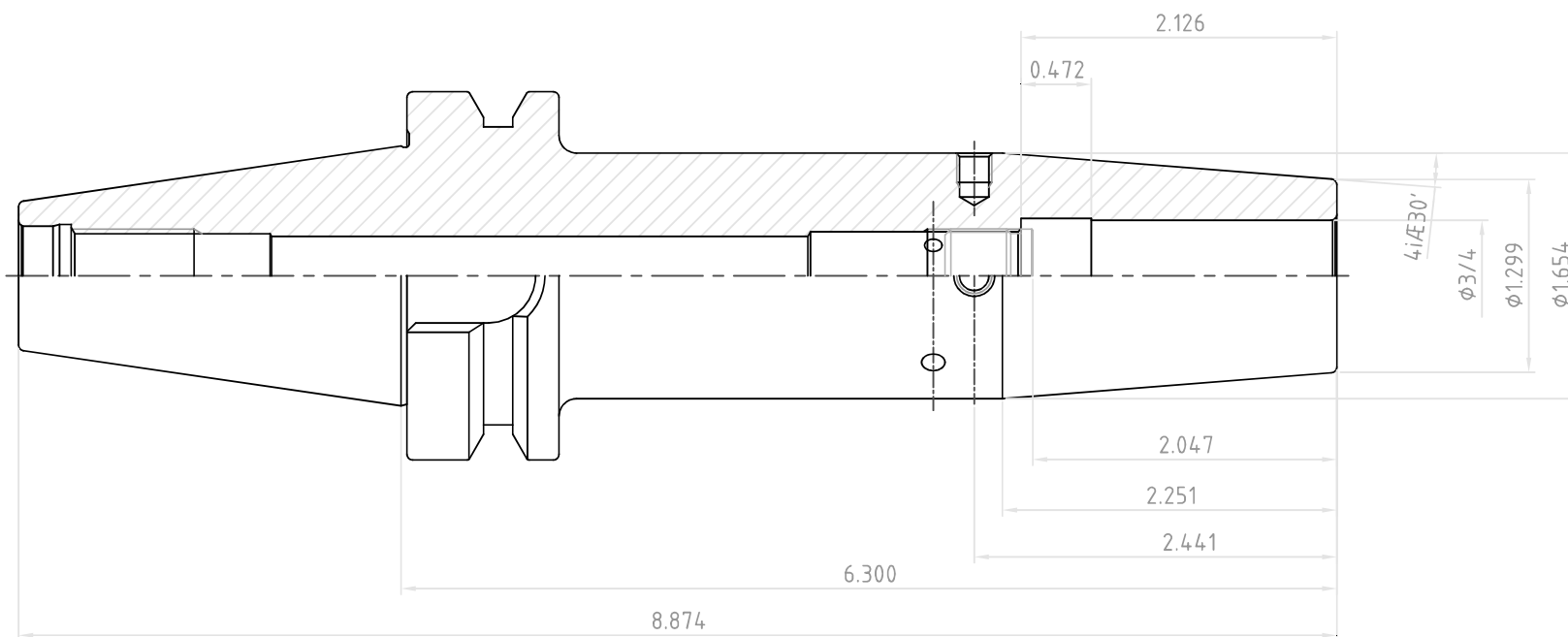
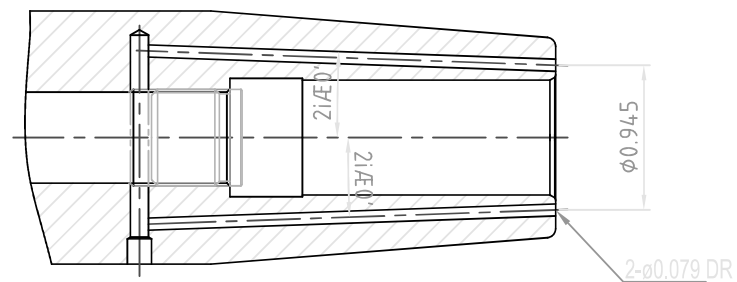


NO.	REVISIONS	DATE	DEVISER
1.			
2.			
3.			



	SSK CONTROL NUMBER		
	CBT40-SFH3/4(19.050)C-6.30(160)		
	EDP No.	VE042J	SCALE 1 : 1