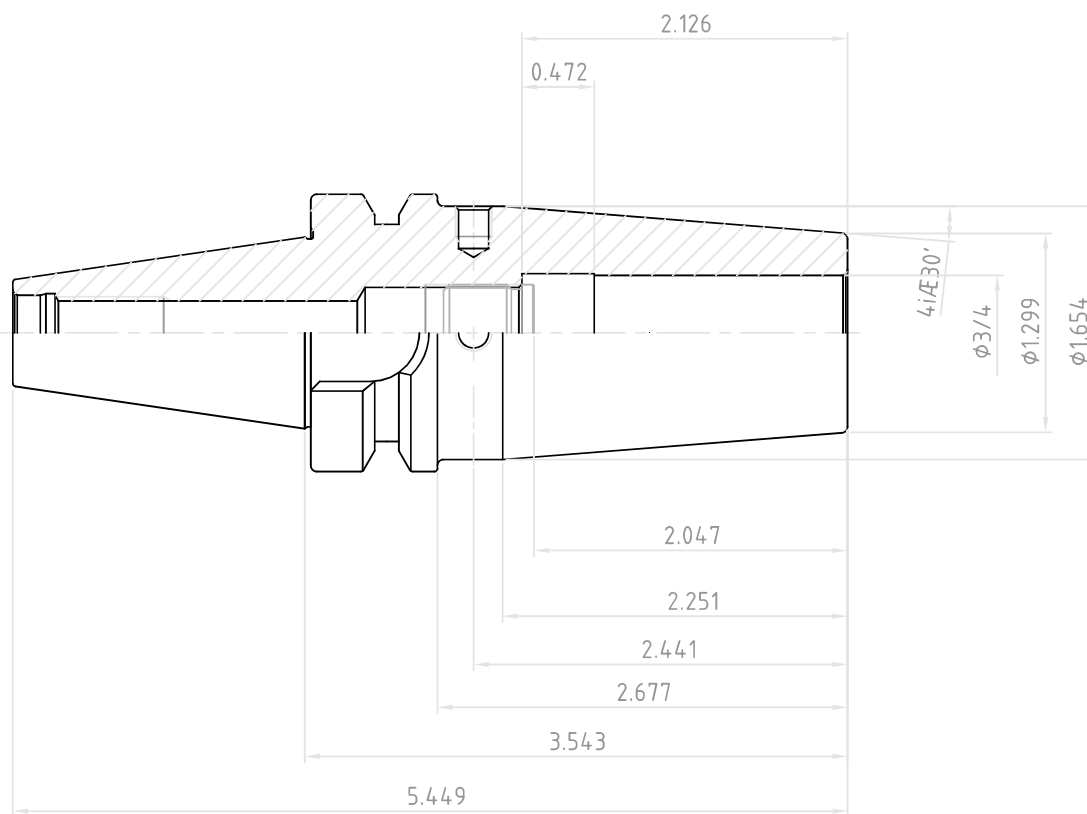



NO.	REVISIONS	DATE	DEVISER
1.			
2.			
3.			



 YG-1 CO., LTD.	SSK CONTROL NUMBER	
	CBT30-SFH3/4(19.050)-3.543(90)	
EDP No.	VD032	SCALE 1 : 1