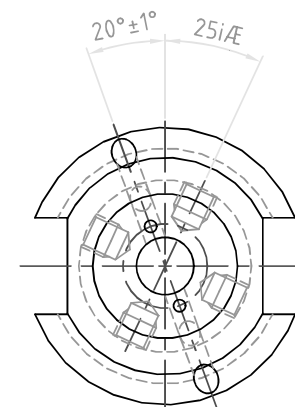
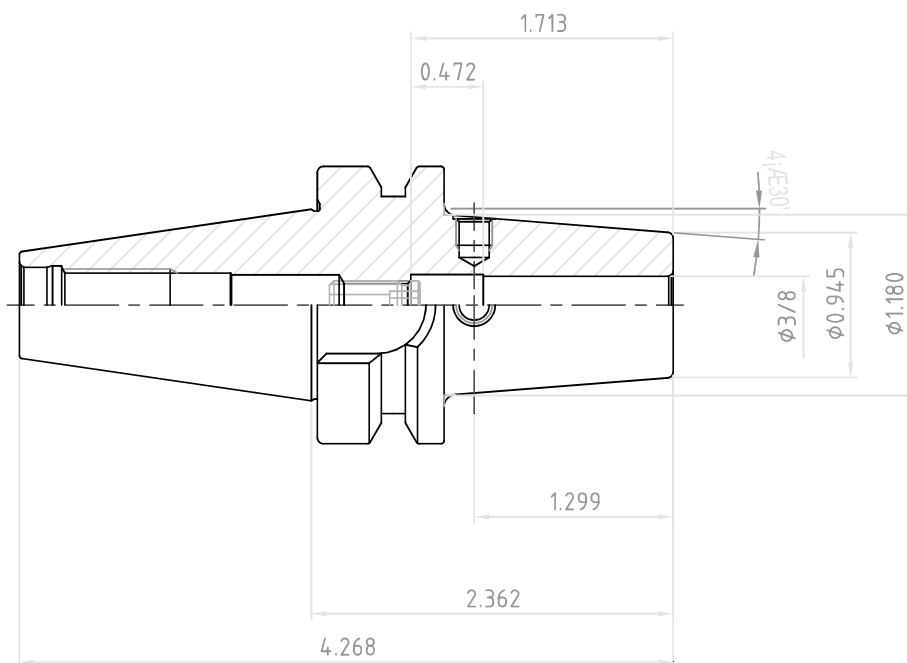
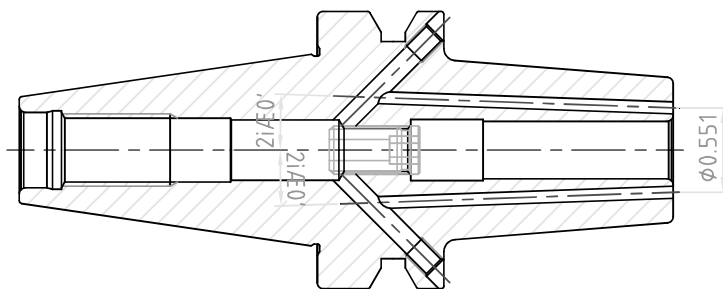


NO.	REVISIONS	DATE	DEVISER
1.			
2.			
3.			



 <b>YG-1 CO., LTD.</b>	SSK CONTROL NUMBER	
	CBT30-SFH3/8(9.525)C-2.362(60)	
EDP No.	VD026J	SCALE 1 : 1