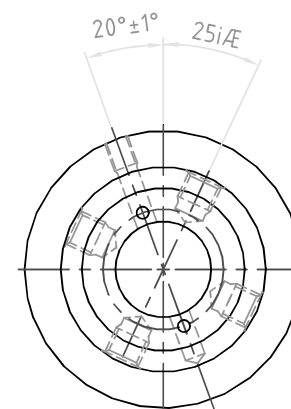
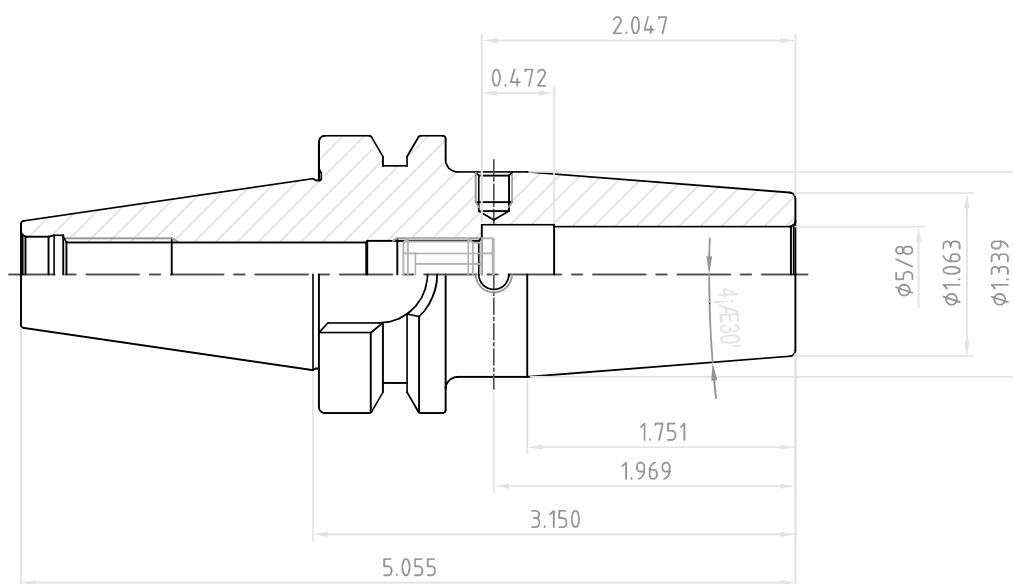
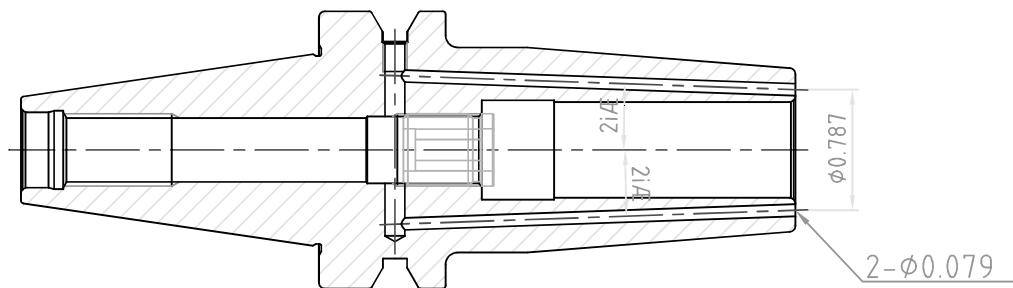



NO.	REVISIONS	DATE	DEVISER
1.			
2.			
3.			



 YG-1 CO., LTD.	SSK CONTROL NUMBER		
	CBT30-SFH5/8(15.875)C-3.150(80)		
	EDP No.	VD030J	SCALE 1 : 1