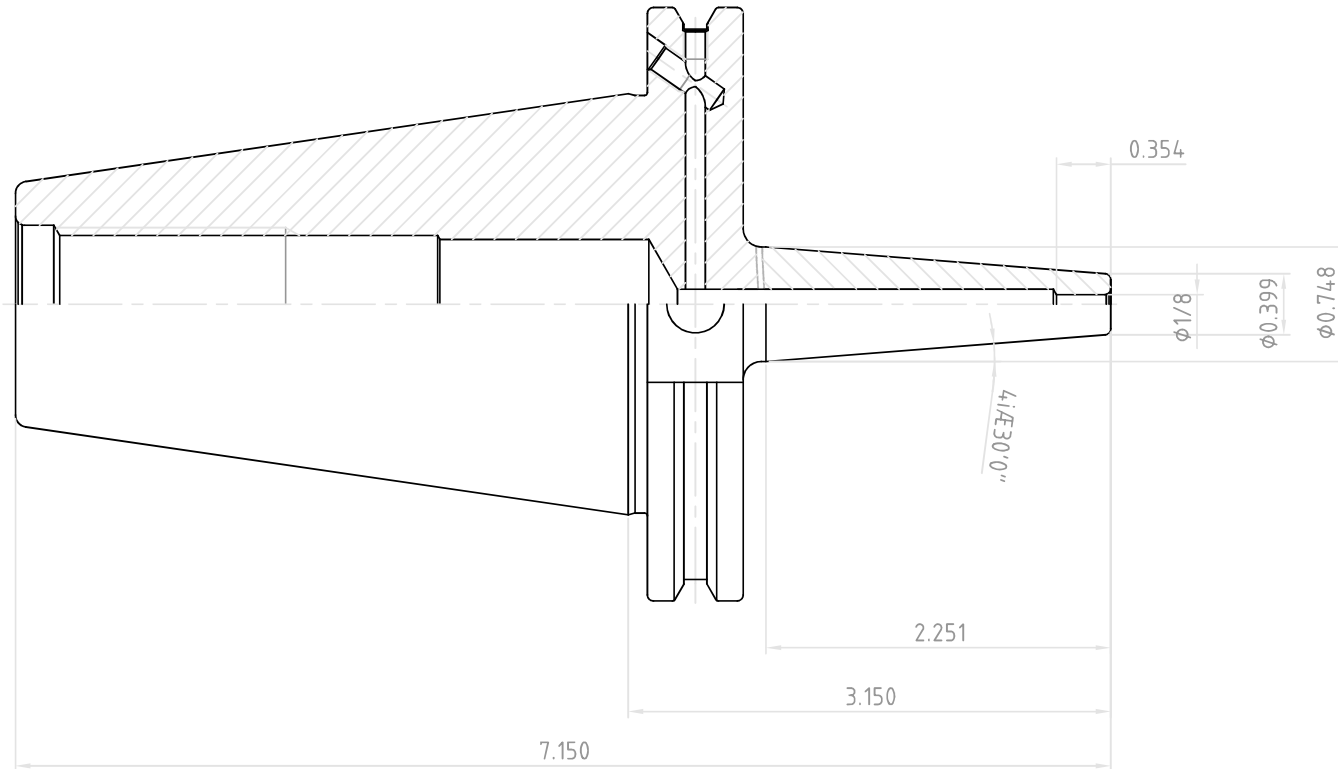



NO.	REVISIONS	DATE	DEVISER
1.			
2.			
3.			



 YG-1 CO., LTD.	SSK CONTROL NUMBER		
	CAT50AD/B-SFH1/8(3.175)-3.150(80)		
EDP No.	VL020	SCALE	1 : 1