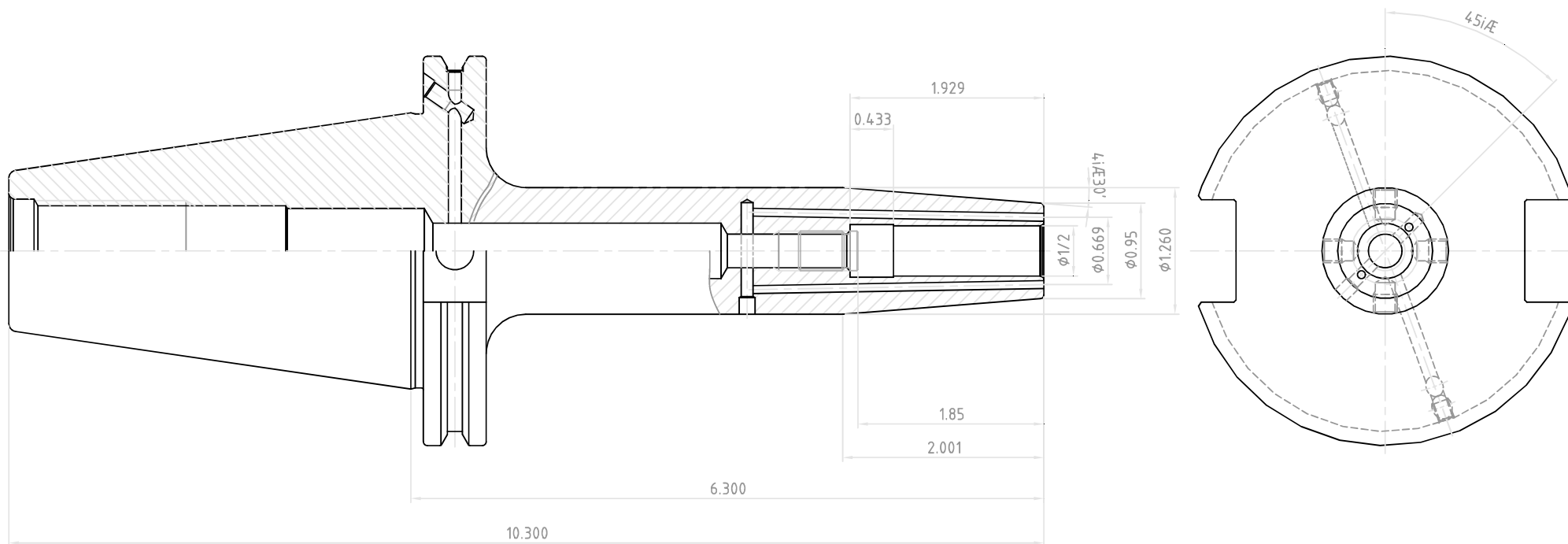


| NO. | REVISIONS | DATE | DEVISER |
|-----|-----------|------|---------|
| 1. | | | |
| 2. | | | |
| 3. | | | |



YG YG-1 CO., LTD.

SSK CONTROL NUMBER

CAT50AD/B-SFH1/2(12.700)-6.300(160)

EDP No. VL034J SCALE 1 : 1