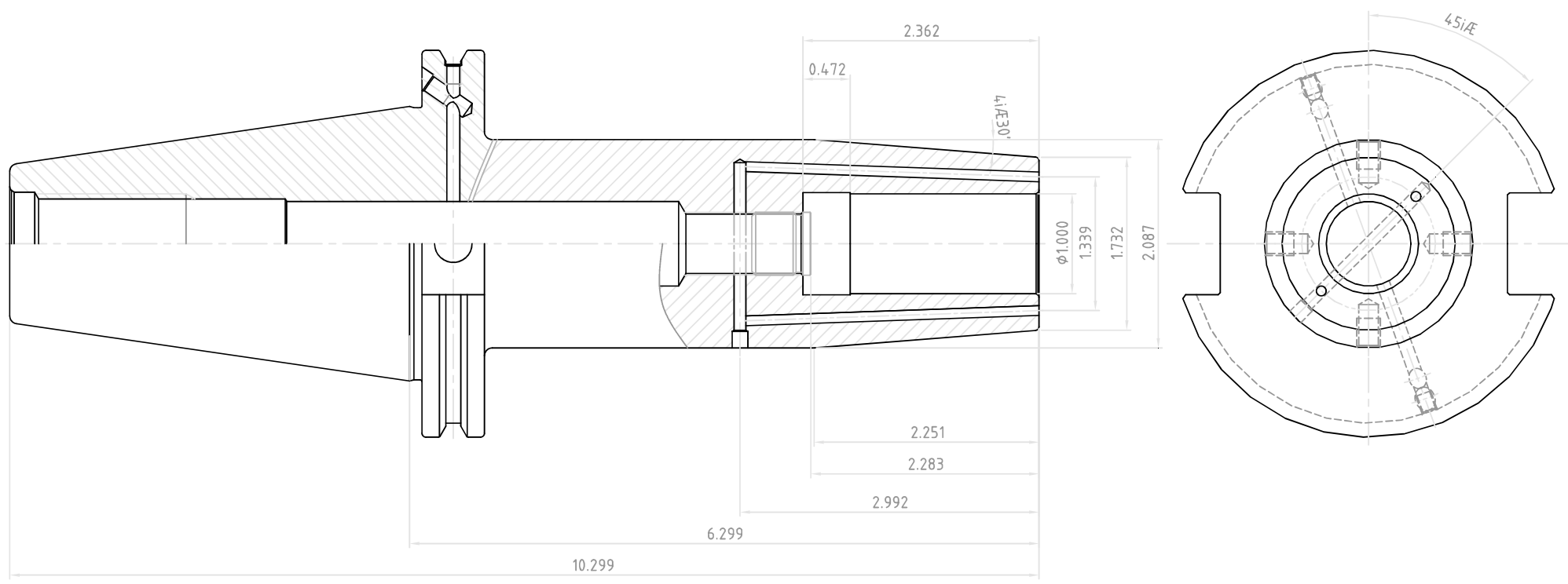


NO.	REVISIONS	DATE	DEVISER
1.			
2.			
3.			



	SSK CONTROL NUMBER		
	CAT50AD/B-SFH1.000(25.40)C-6.300(160)		
	EDP No.	VL046J	SCALE 1 : 1