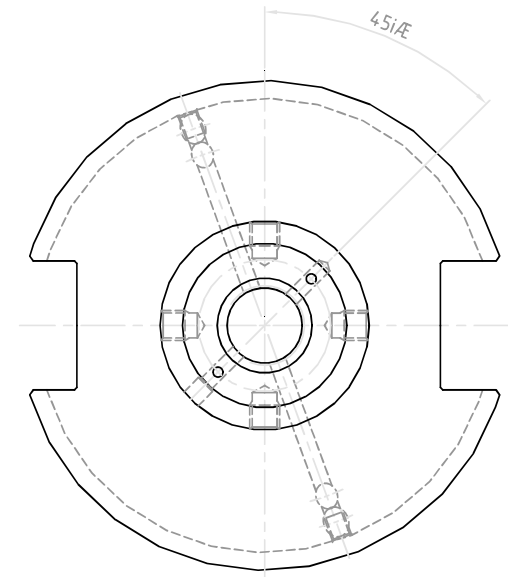
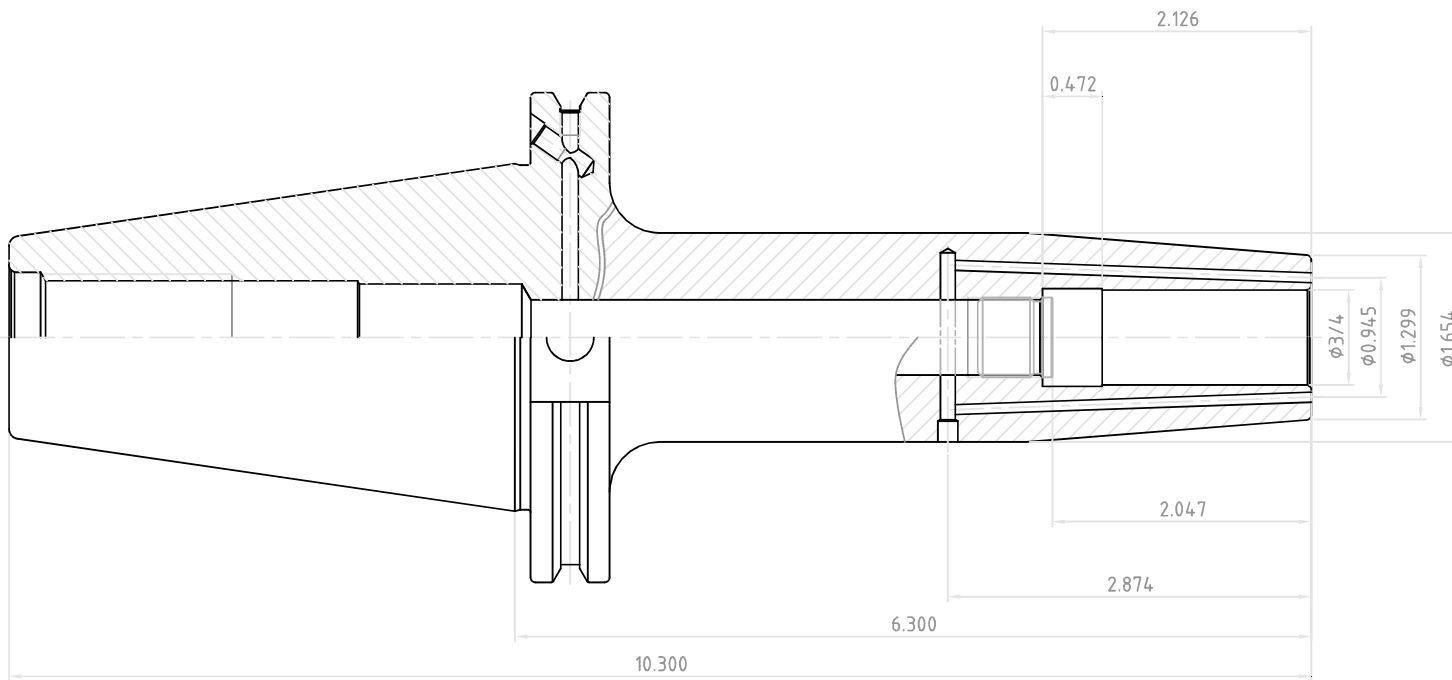



NO.	REVISIONS	DATE	DEVISER
1.			
2.			
3.			



 YG-1 CO., LTD.	SSK CONTROL NUMBER		
	CAT50AD/B-SFH3/4(19.050)C-6.30(160)		
	EDP No.	VL042J	SCALE 1 : 1