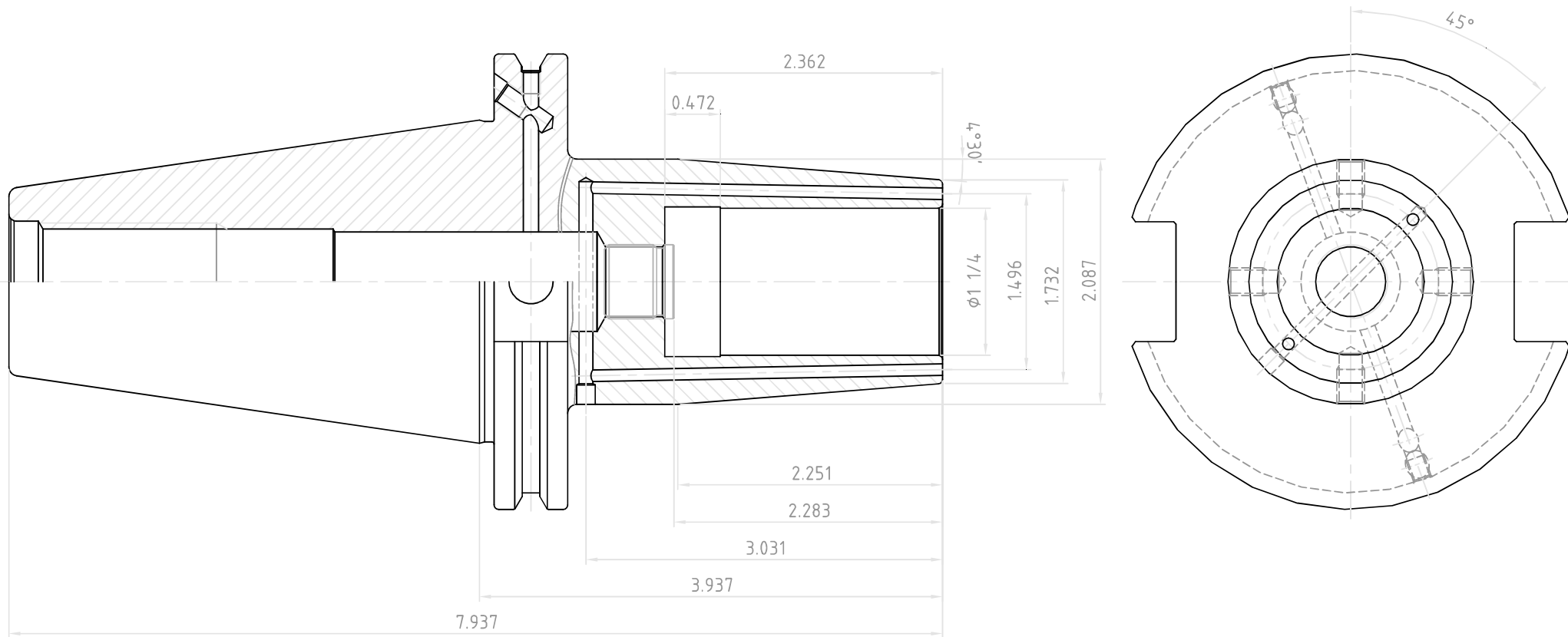


NO.	REVISIONS	DATE	DEVISER
1.			
2.			
3.			



SSK SSK TOOL CO.,LTD.	SSK CONTROL NUMBER		
	CAT50AD/B-SFH1 1/4(31.750)C-3.937(100)		
	EDP No.	VL048J	SCALE 1 : 1