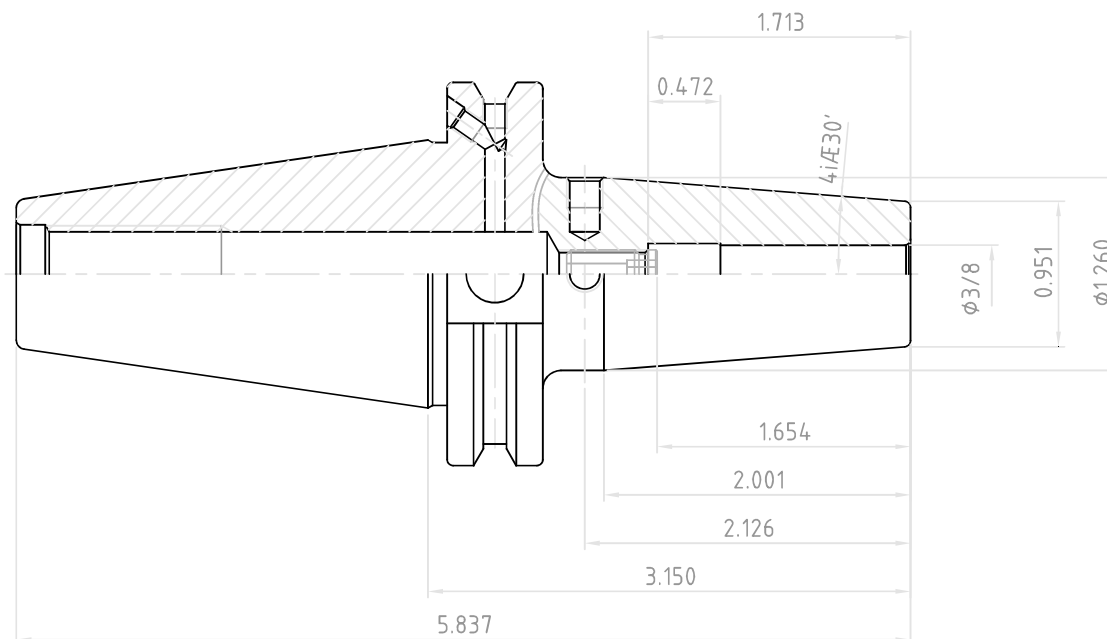



| NO. | REVISIONS | DATE | DEVISER |
|-----|-----------|------|---------|
| 1.  |           |      |         |
| 2.  |           |      |         |
| 3.  |           |      |         |



|  |                                   |       |             |
|--|-----------------------------------|-------|-------------|
|  YG-1 CO., LTD. | SSK CONTROL NUMBER                |       |             |
|  | CAT40AD/B-SFH3/8(9.525)-3.150(80) |       |             |
|  | EDP No.                           | VK028 | SCALE 1 : 1 |