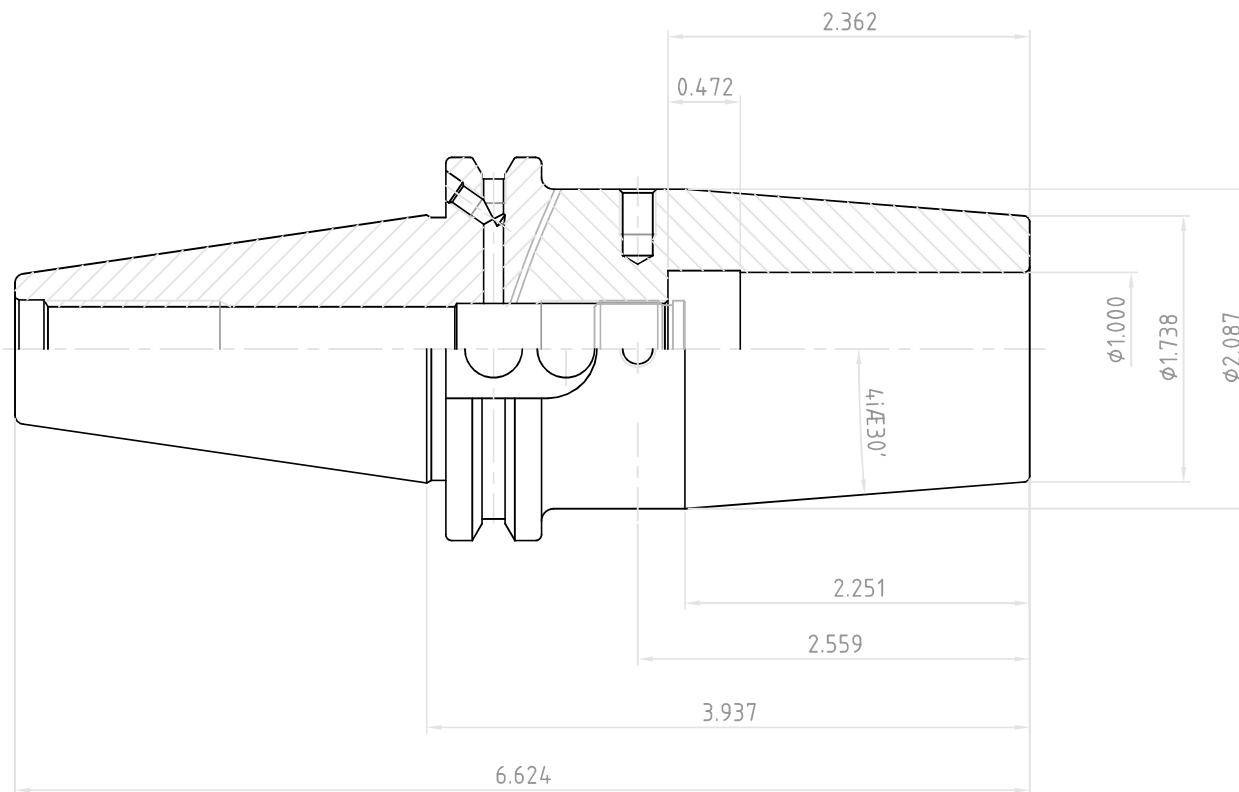


NO.	REVISIONS	DATE	DEVISER
1.			
2.			
3.			



 YG-1 CO., LTD.	SSK CONTROL NUMBER		
	CAT40AD/B-SFH1.000(25.4)-3.937(100)		
EDP No.	VK044	SCALE	1 : 1