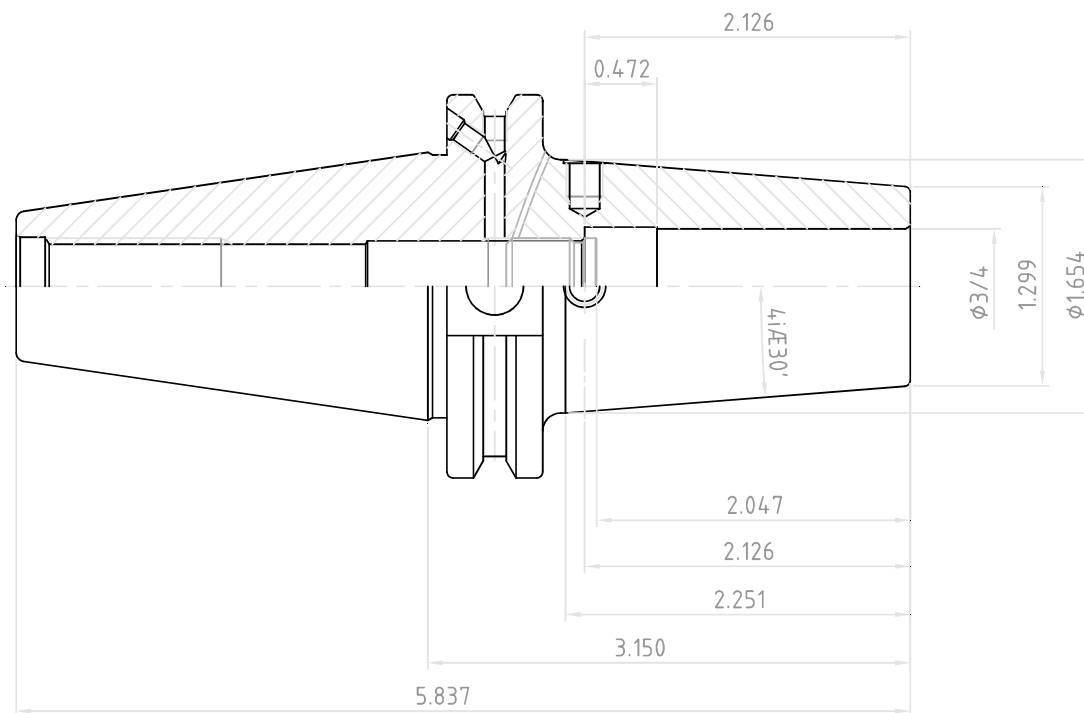



| NO. | REVISIONS | DATE | DEVISER |
|-----|-----------|------|---------|
| 1. | | | |
| 2. | | | |
| 3. | | | |



| | | |
|--|------------------------------------|-------------|
|  YG-1 CO., LTD. | SSK CONTROL NUMBER | |
| | CAT40AD/B-SFH3/4(19.050)-3.150(80) | |
| EDP No. | VK040 | SCALE 1 : 1 |