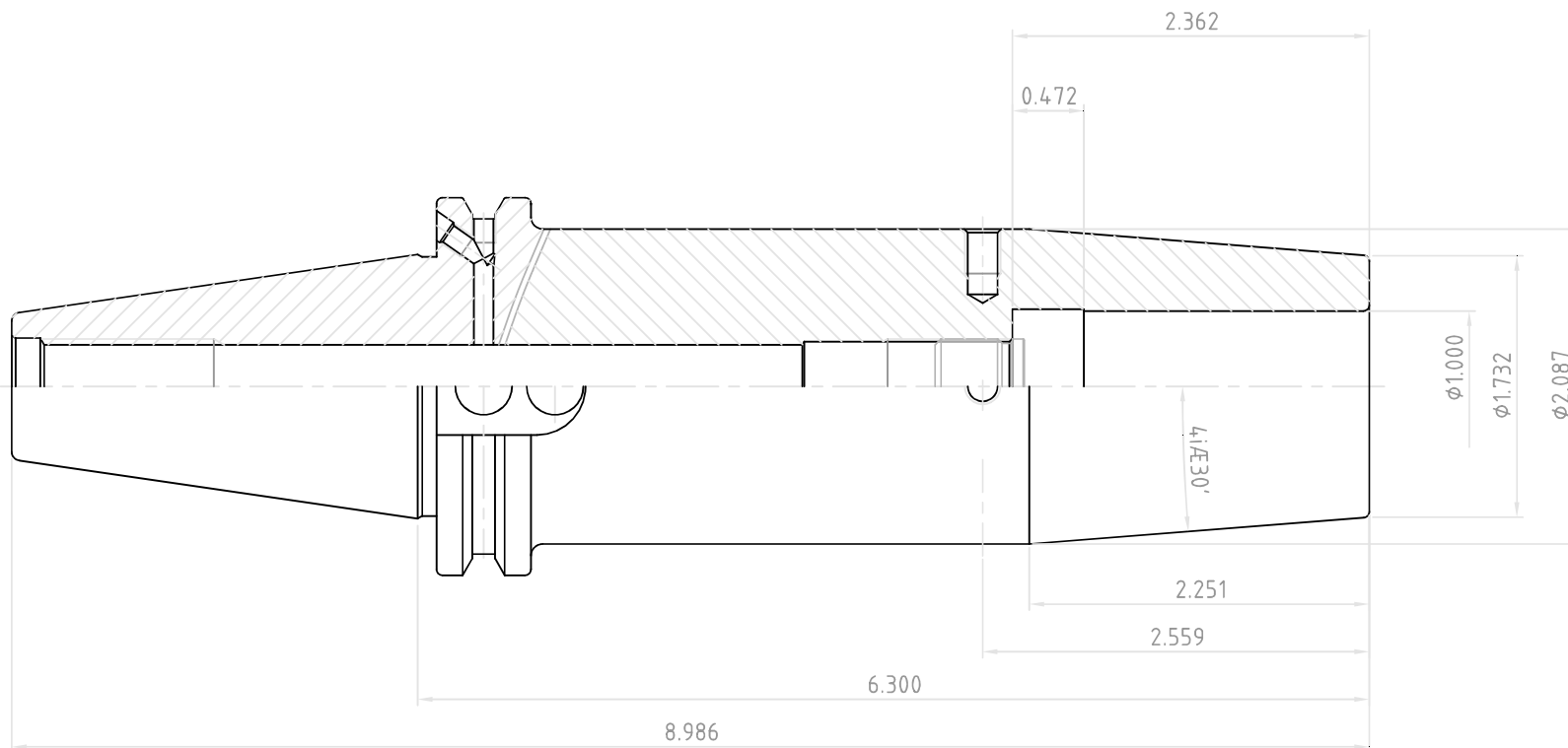
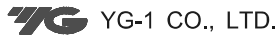


NO.	REVISIONS	DATE	DEVISER
1.			
2.			
3.			



	SSK CONTROL NUMBER	
	CAT40AD/B-SFH1.000(25.4)-6.300(160)	
	EDP No.	VK046
	SCALE	1 : 1