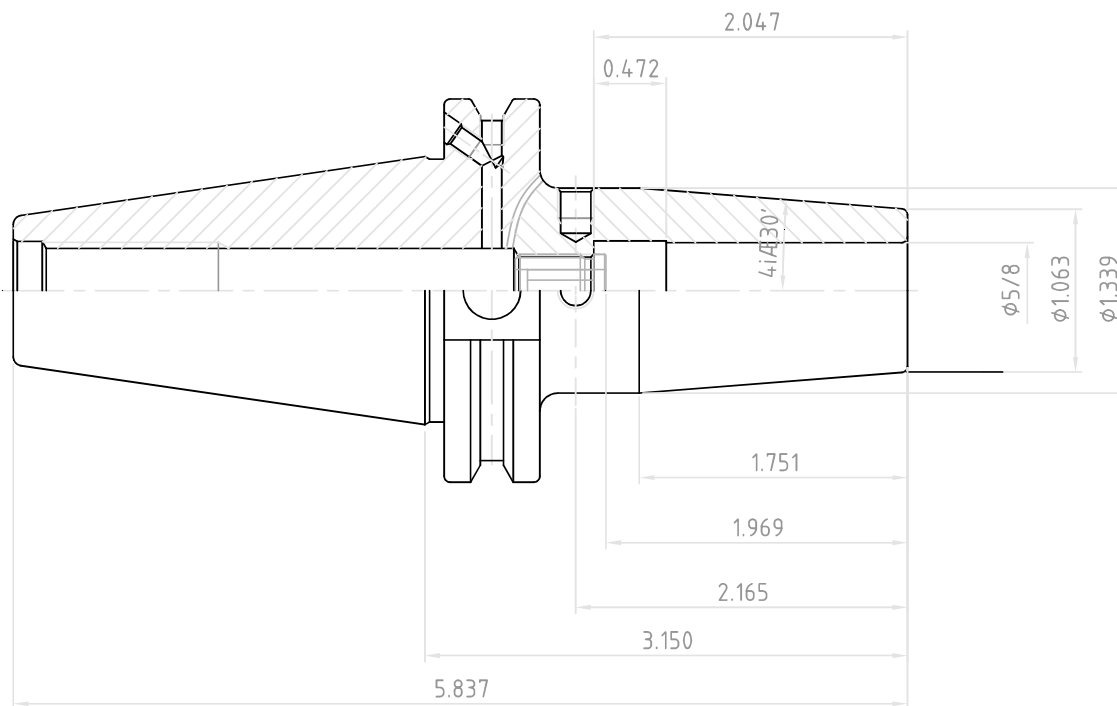


| NO. | REVISIONS | DATE | DEVISER |
|-----|-----------|------|---------|
| 1. | | | |
| 2. | | | |
| 3. | | | |



YG-1 CO., LTD.

SSK CONTROL NUMBER

CAT40AD/B-SFH5/8(15.875)-3.150(80)

EDP No.

VK036

SCALE

1 : 1