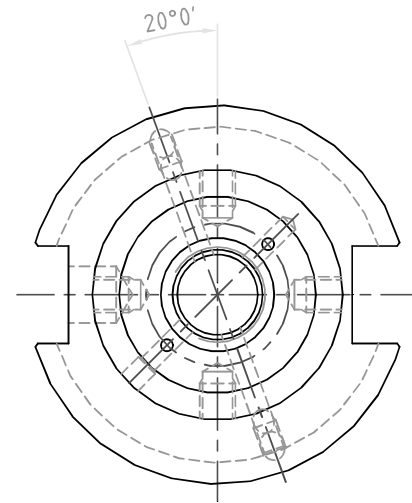
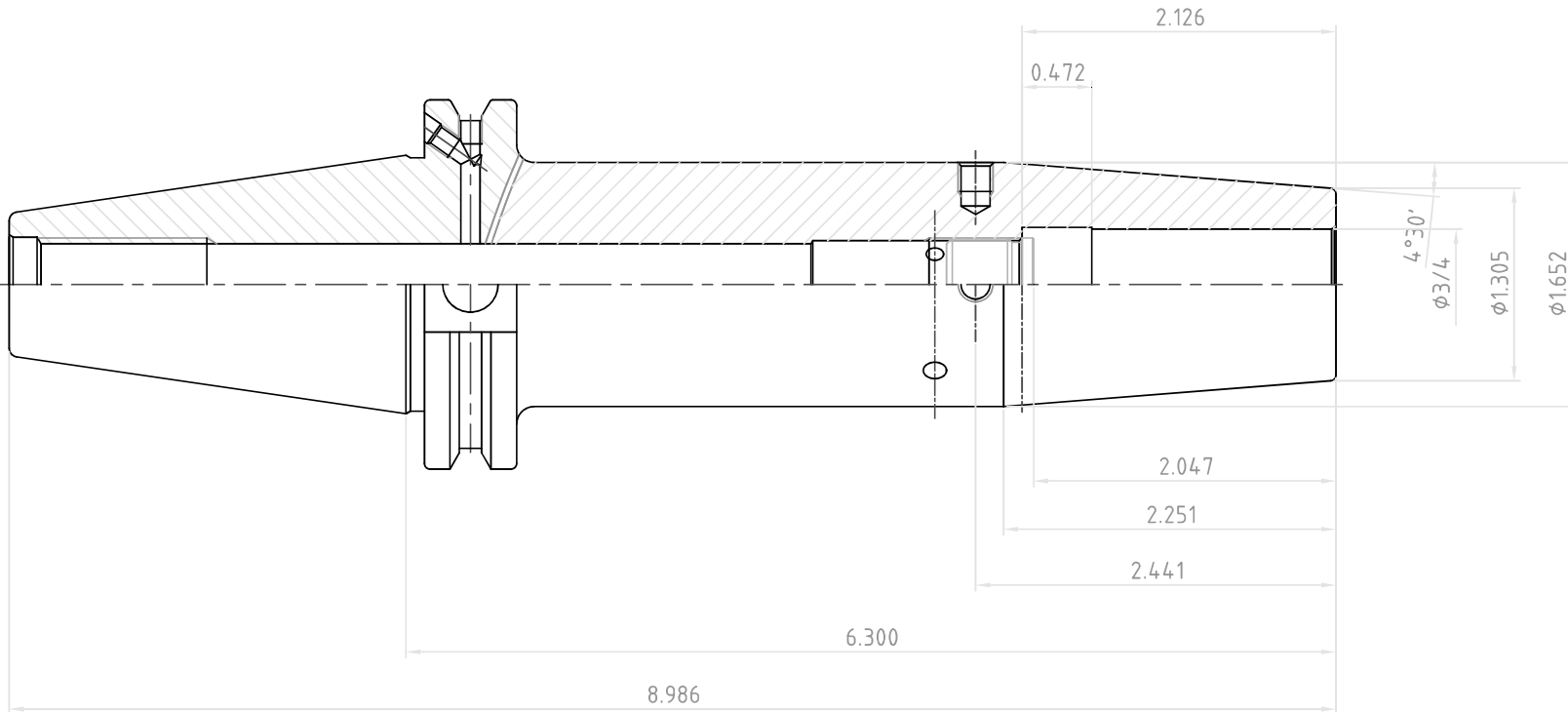
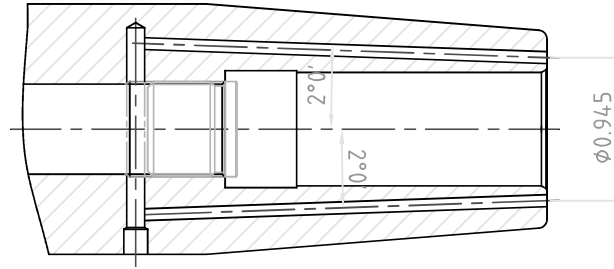


NO.	REVISIONS	DATE	DEVISER
1.			
2.			
3.			



**YG** YG-1 CO., LTD.

SSK CONTROL NUMBER

CAT40AD/B-SFH3/4(19.050)C-6.300(16.0)

EDP No. VK042J SCALE 1 : 1