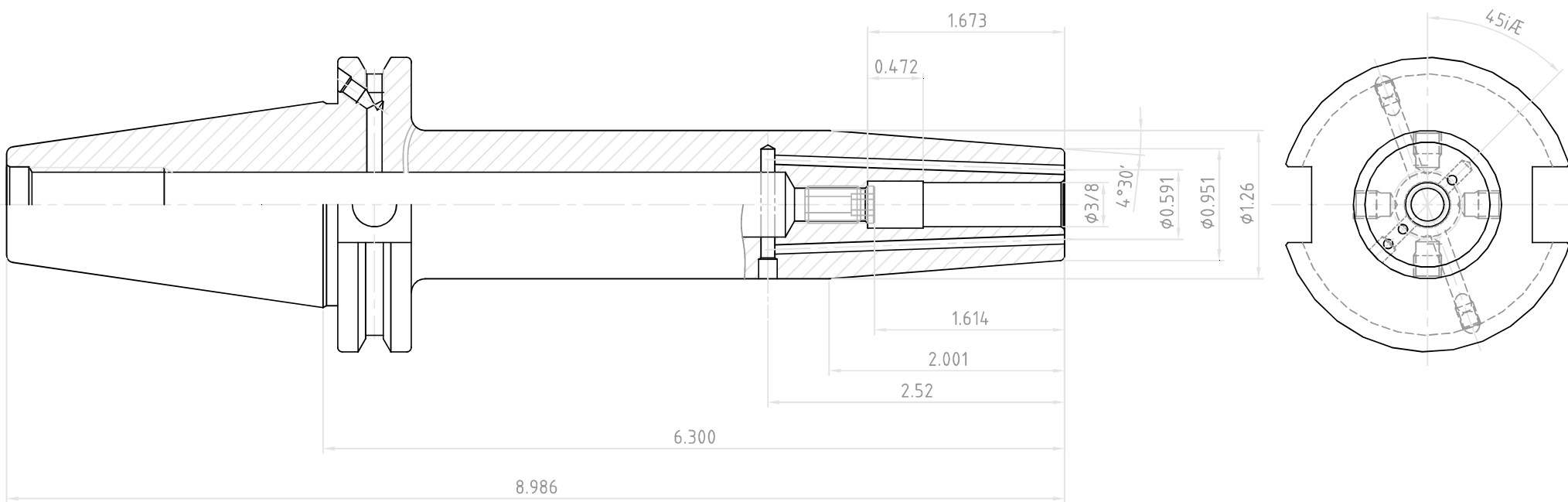


NO.	REVISIONS	DATE	DEVISER
1.			
2.			
3.			



 YG-1 CO., LTD.	SSK CONTROL NUMBER	
	CAT40AD/B-SFH3/8(9.525)C-6.300(16.00)	
	EDP No.	VK030J
	SCALE	1 : 1