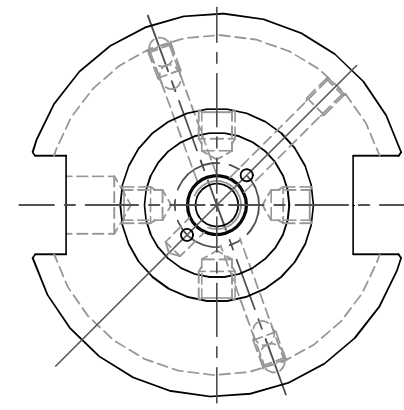
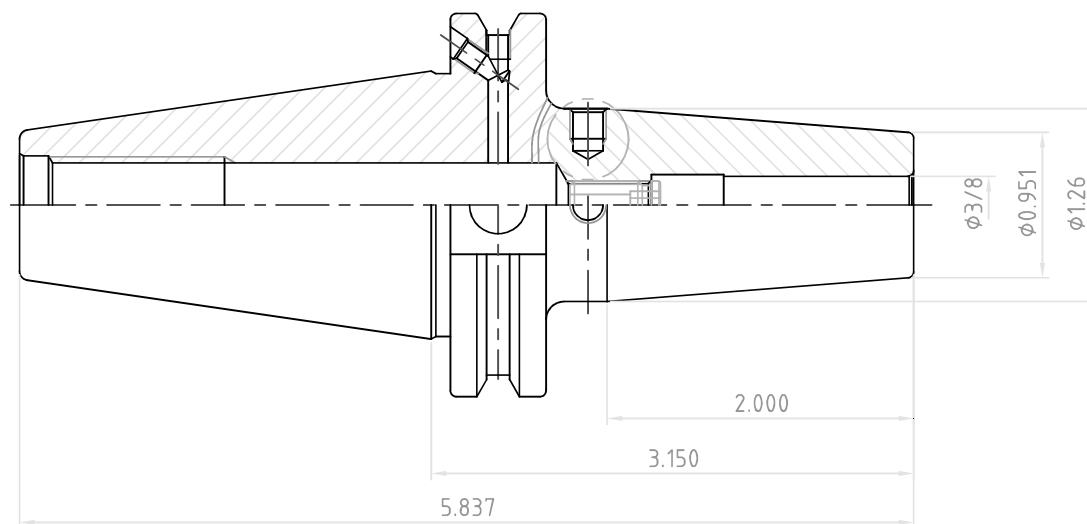
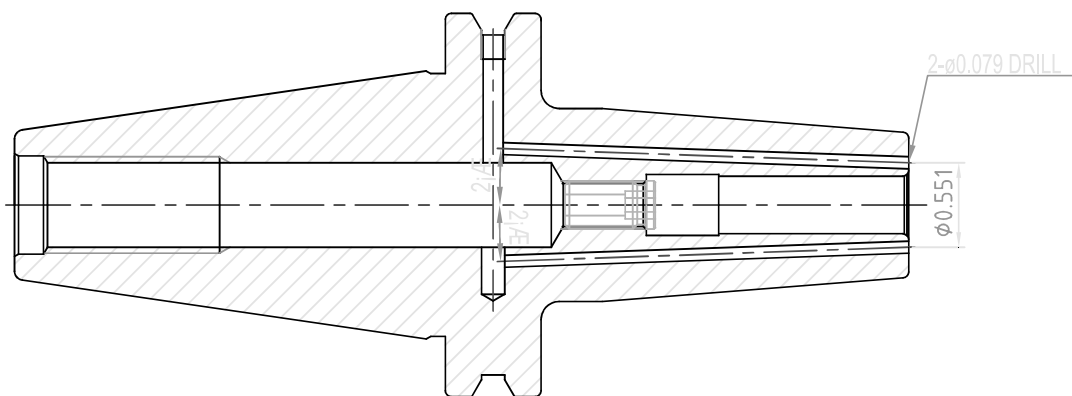



| NO. | REVISIONS | DATE | DEVISER |
|-----|-----------|------|---------|
| 1. | | | |
| 2. | | | |
| 3. | | | |



| | | | |
|-------------------------------------------------------------------------------------------------------------|------------------------------------|--------|-------------|
|  YG-1 CO., LTD. | SSK CONTROL NUMBER | | |
| | CAT40AD/B-SFH3/8(9.525)C-3.150(80) | | |
| | EDP No. | VK028J | SCALE 1 : 1 |