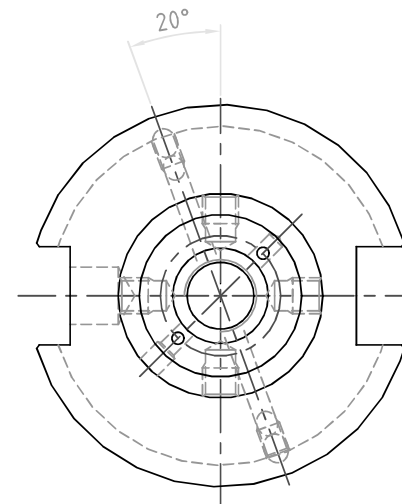
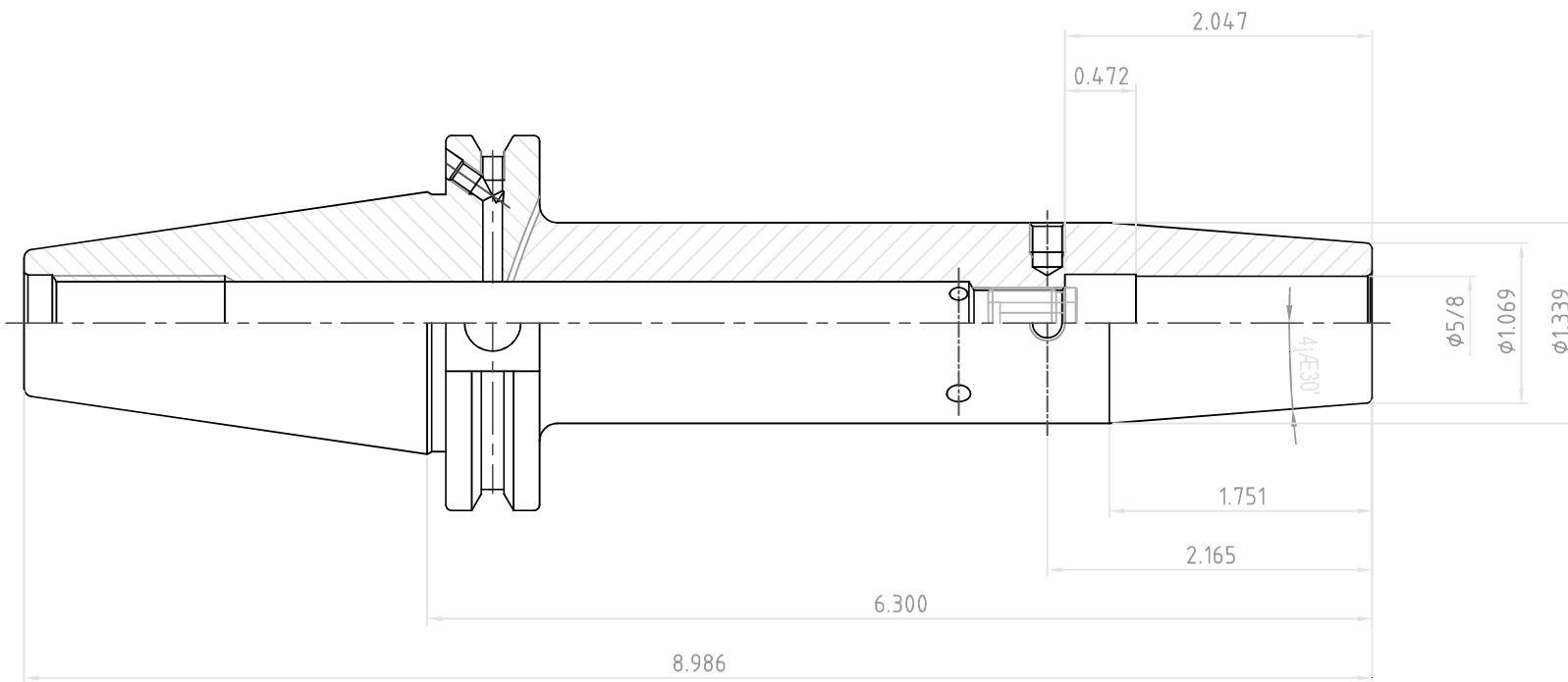
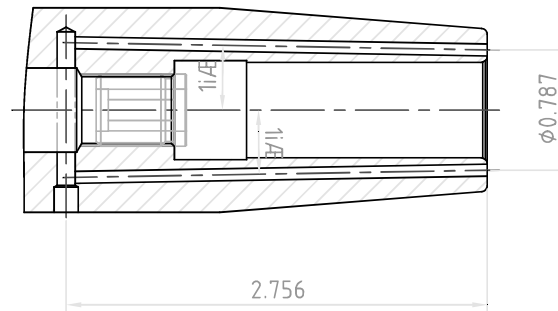


NO.	REVISIONS	DATE	DEVISER
1.			
2.			
3.			



	SSK CONTROL NUMBER		
	CAT40AD/B-SFH5/8(15.875)C-6.30(160)		
EDP No.	VK038J	SCALE	1 : 1