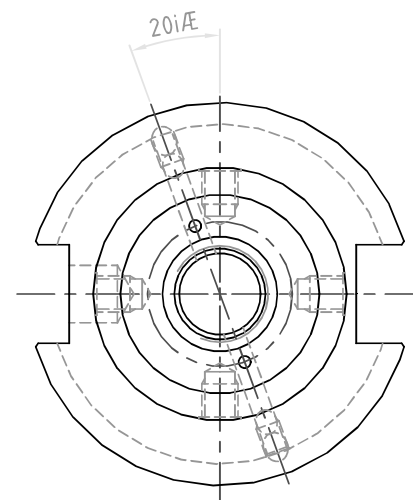
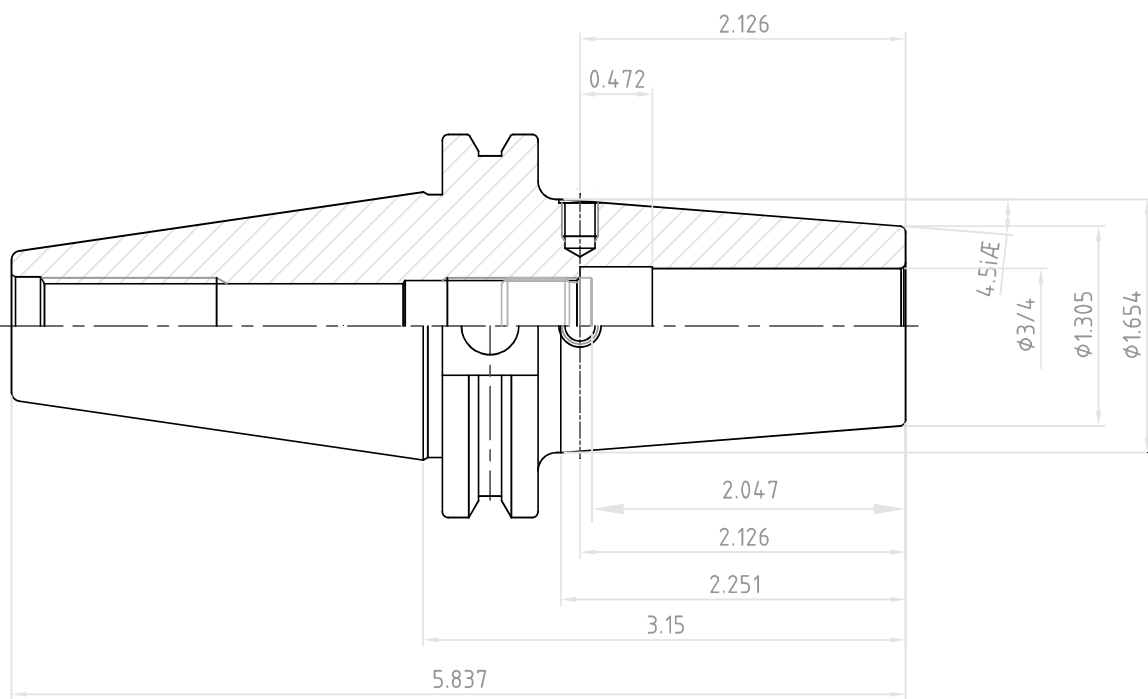
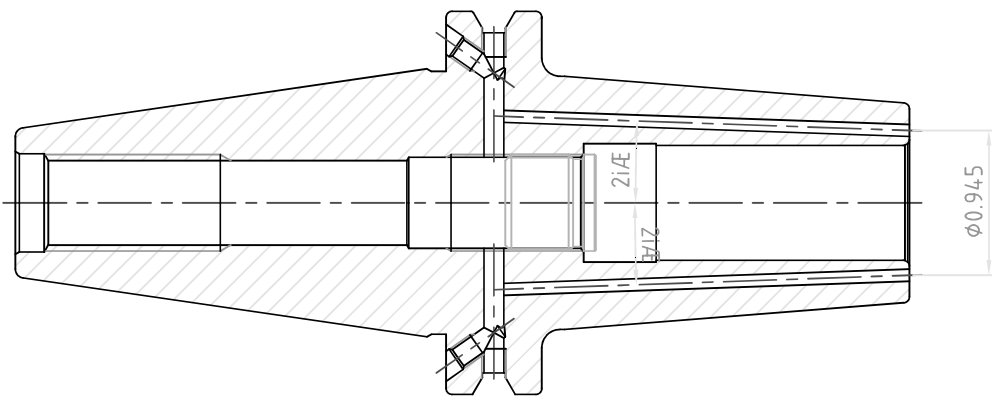



NO.	REVISIONS	DATE	DEVISER
1.			
2.			
3.			



 YG-1 CO., LTD.	SSK CONTROL NUMBER		
	CAT40AD/B-SFH3/4(19.050)C-3.150(80)		
EDP No.	VK040J	SCALE	1 : 1