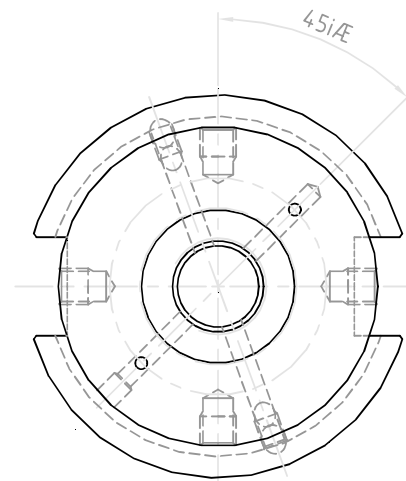
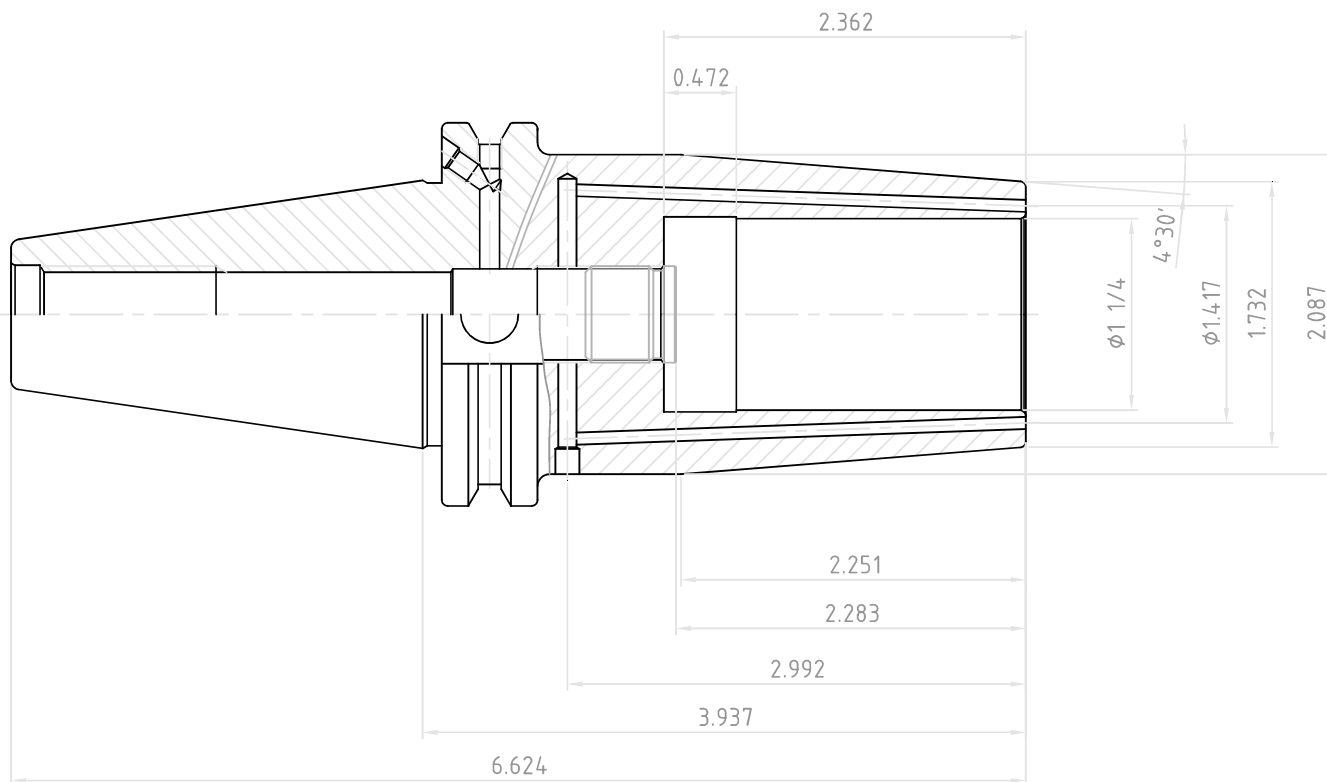


NO.	REVISIONS	DATE	DEVISER
1.			
2.			
3.			



YG YG-1 CO., LTD.

SSK CONTROL NUMBER

CAT40AD/B-SFH1 1/4(31.75)C-3.937(100)

EDP No.

VK048J

SCALE

1 : 1