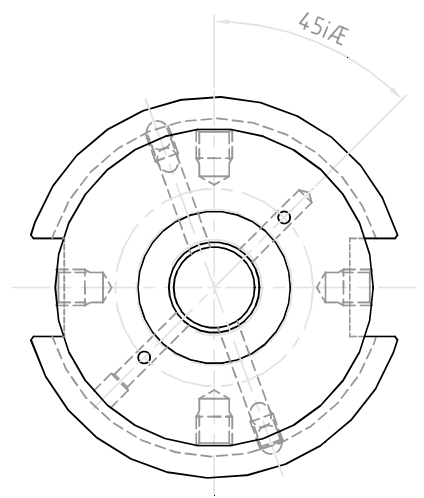
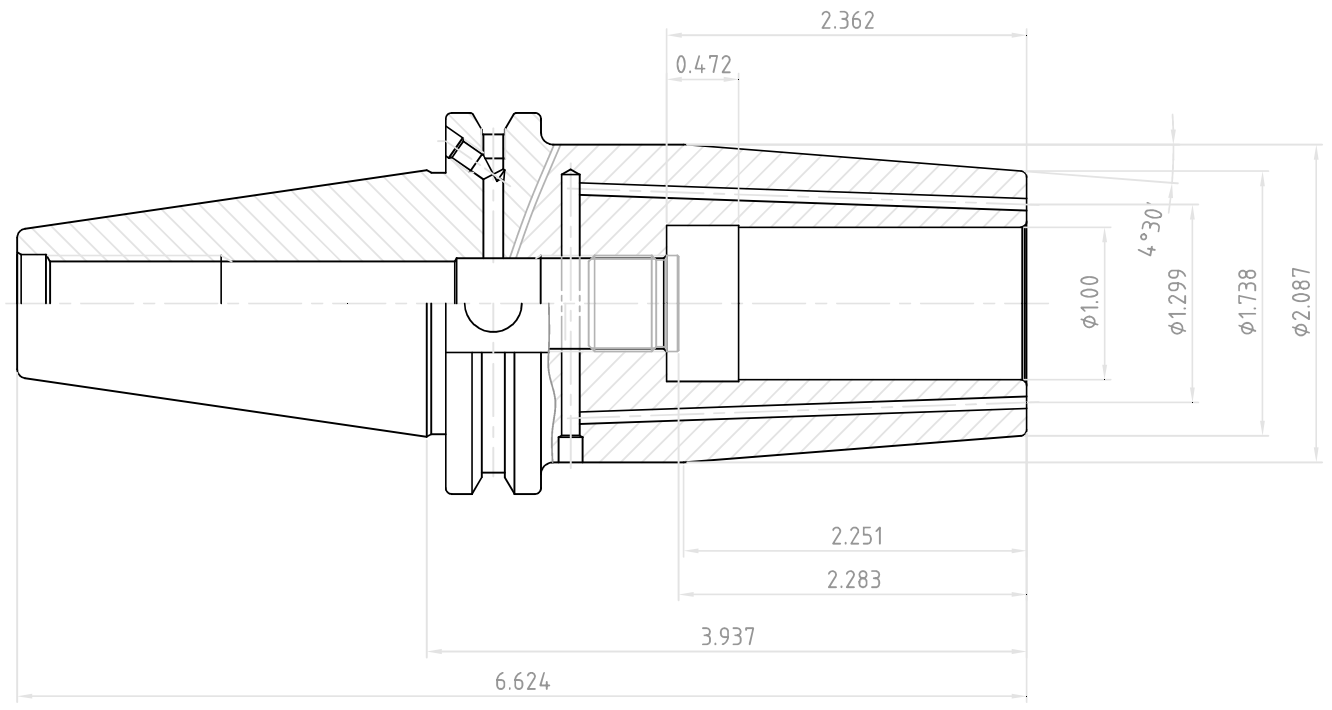



NO.	REVISIONS	DATE	DEVISER
1.			
2.			
3.			



 YG-1 CO., LTD.	SSK CONTROL NUMBER	
	CAT40AD/B-SFH1.00(25.4)C-3.937(100)	
EDP No.	VK044J	SCALE 1 : 1