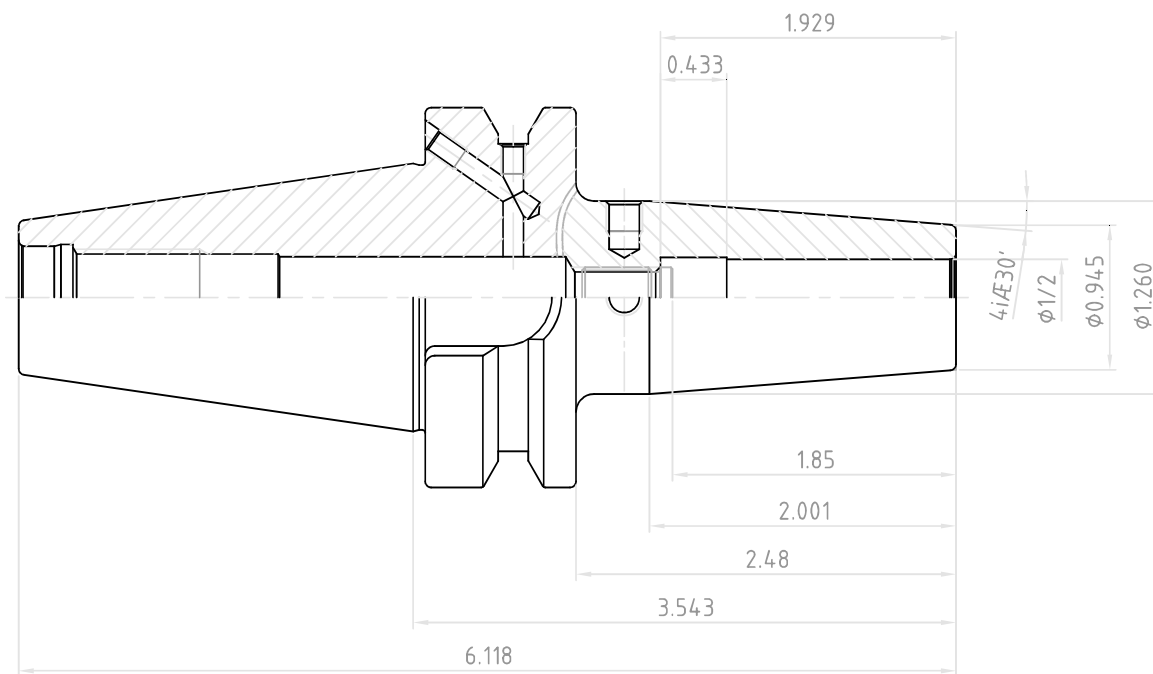
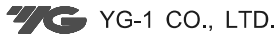


NO.	REVISIONS	DATE	DEVISER
1.			
2.			
3.			



	SSK CONTROL NUMBER		
	BT40AD/B-SFH1/2(12.700)-3.543(90)		
EDP No.	VH032	SCALE	1 : 1