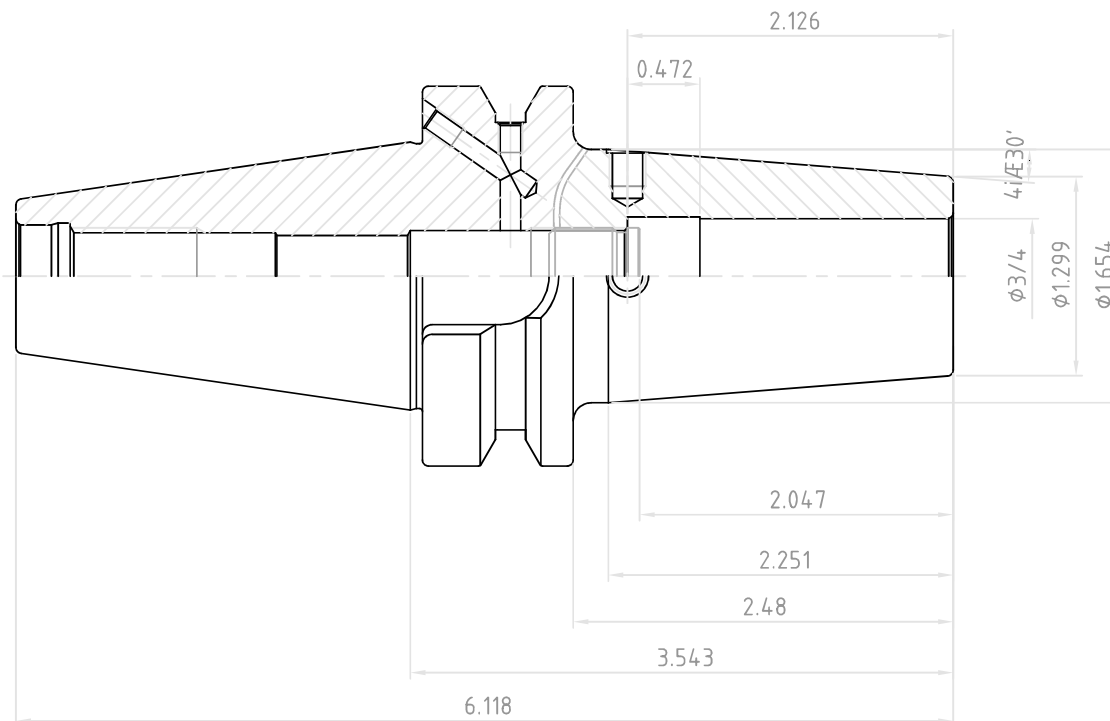



NO.	REVISIONS	DATE	DEVISER
1.			
2.			
3.			



 YG-1 CO., LTD.	SSK CONTROL NUMBER		
	BT40AD/B-SFH0.750(19.050)-3.543(90)		
EDP No.	VH040	SCALE	1 : 1