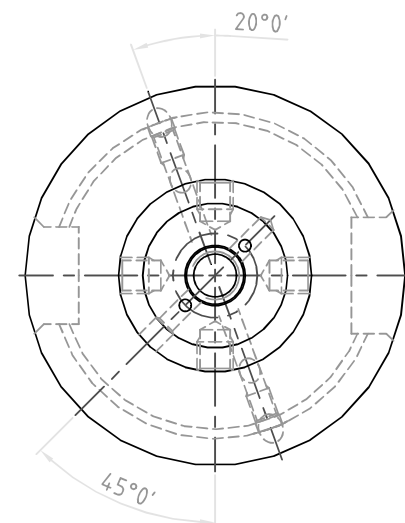
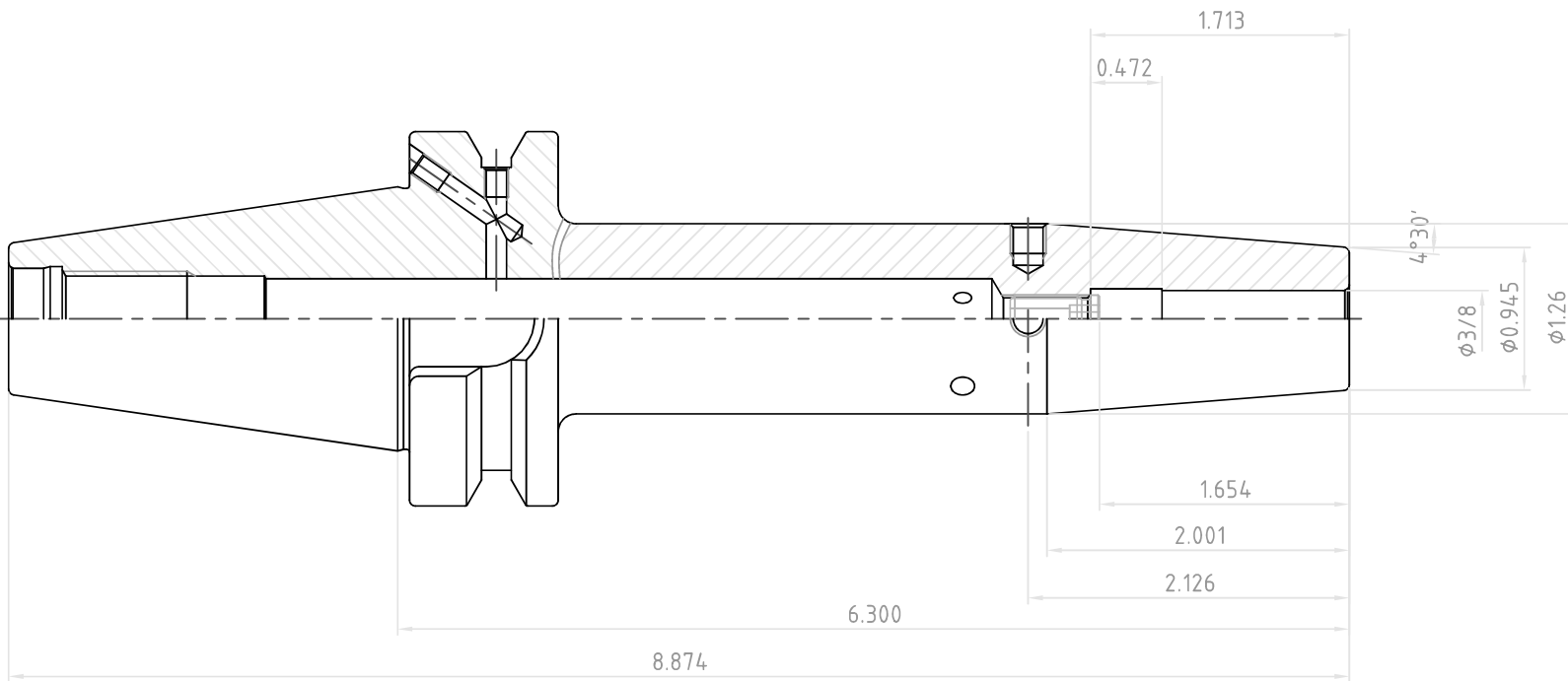
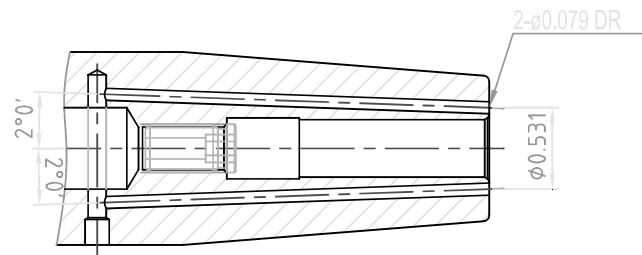



NO.	REVISIONS	DATE	DEVISER
1.			
2.			
3.			



 YG-1 CO., LTD.	SSK CONTROL NUMBER		
	BT40AD/B-SFH3/8(9.525)C-6.300(160)		
EDP No.	VH030J	SCALE	1 : 1