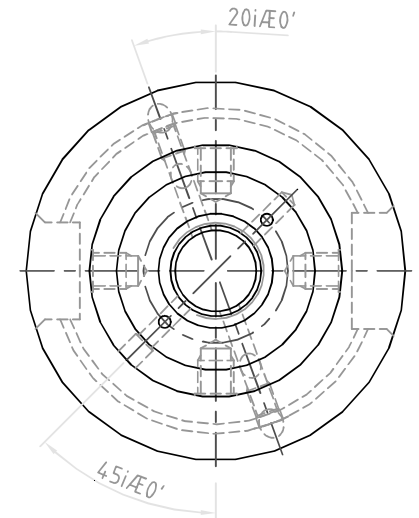
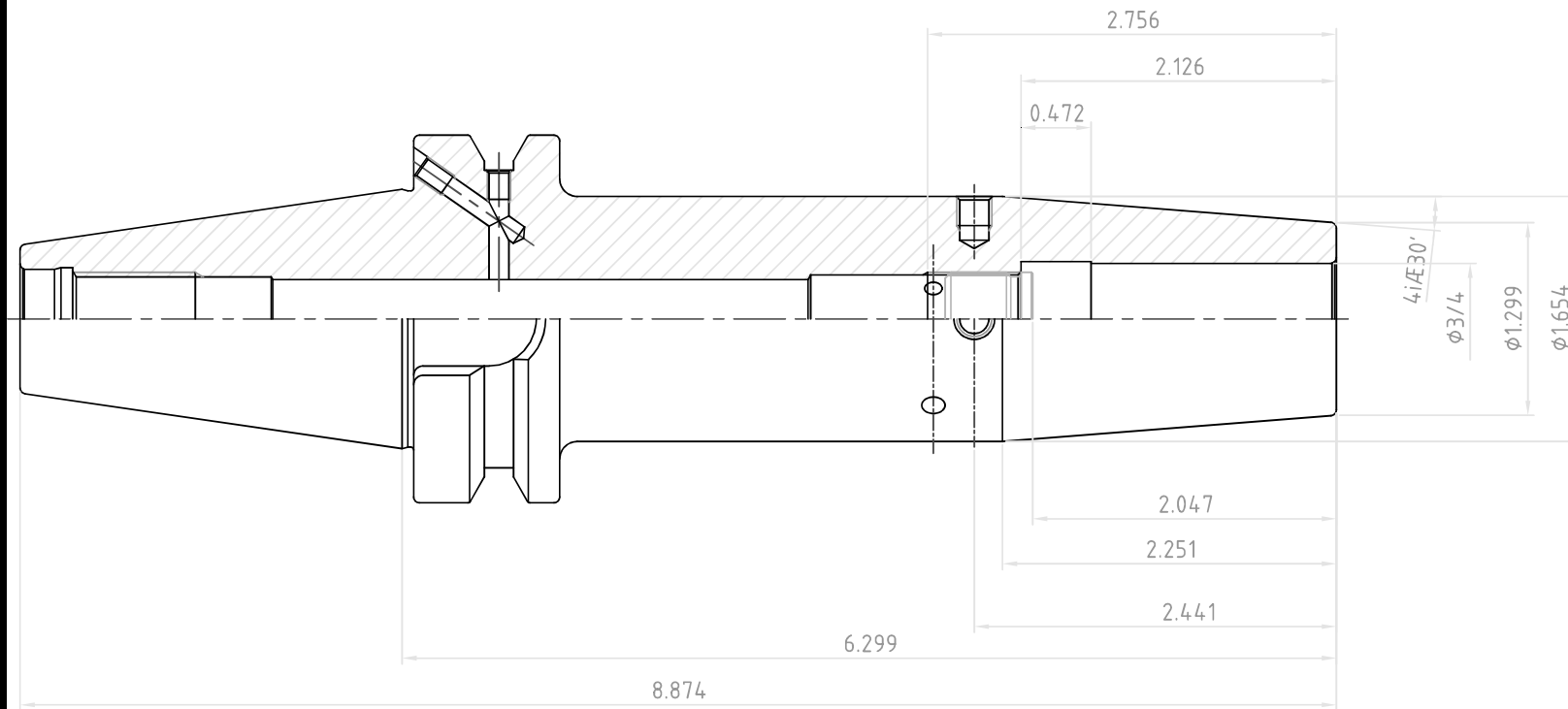
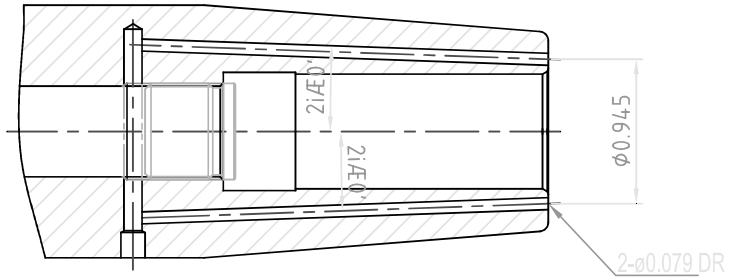


NO.	REVISIONS	DATE	DEVISER
1.			
2.			
3.			



	SSK CONTROL NUMBER		
	BT40AD/B-SFH3/4(19.050)C-6.300(160)		
	EDP No.	VH042J	SCALE 1 : 1