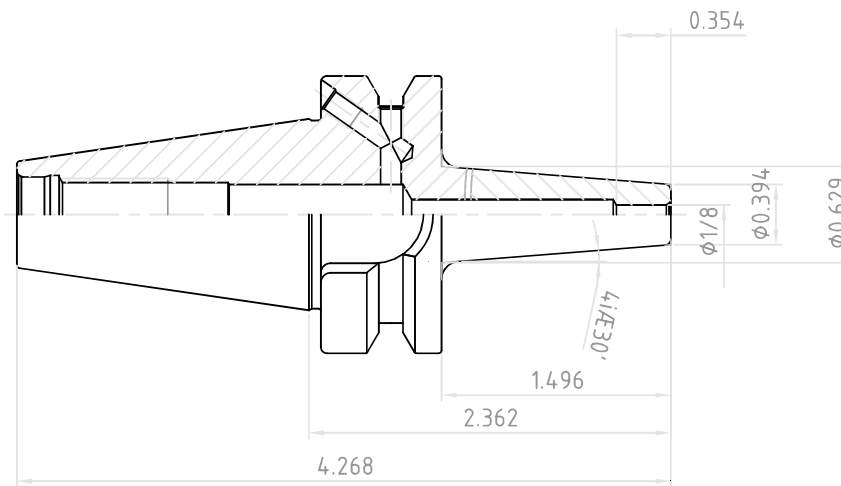


NO.	REVISIONS	DATE	DEVISER
1.			
2.			
3.			



 YG-1 CO., LTD.	SSK CONTROL NUMBER	
	BT30AD/B-SFH1/8(3.175)-2.362(60)	
EDP No.	VG020	SCALE 1 : 1