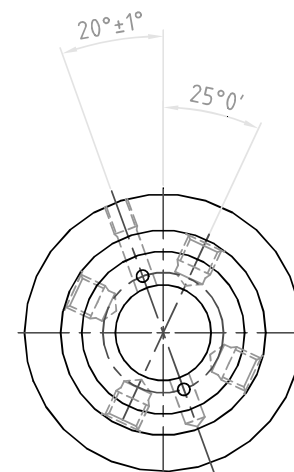
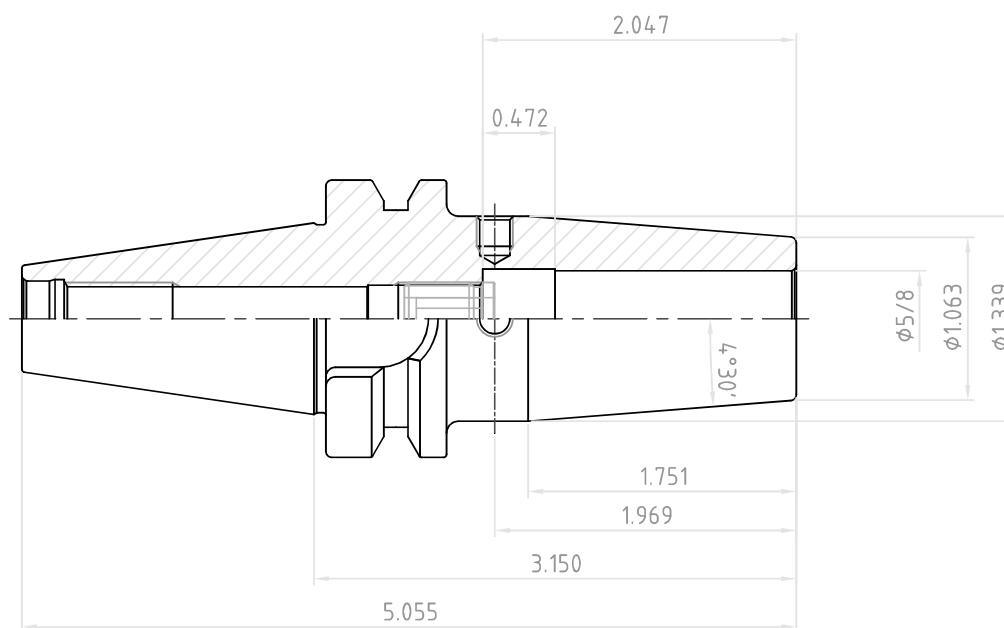
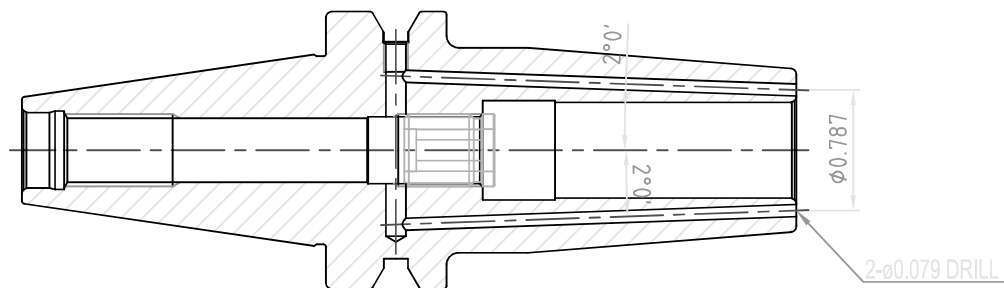


NO.	REVISIONS	DATE	DEVISER
1.			
2.			
3.			



 <b>YG-1 CO., LTD.</b>	SSK CONTROL NUMBER	
	BT30-SFH5/8(15.875)C-3.150(80)	
	EDP No.	VG030J
	SCALE	1 : 1