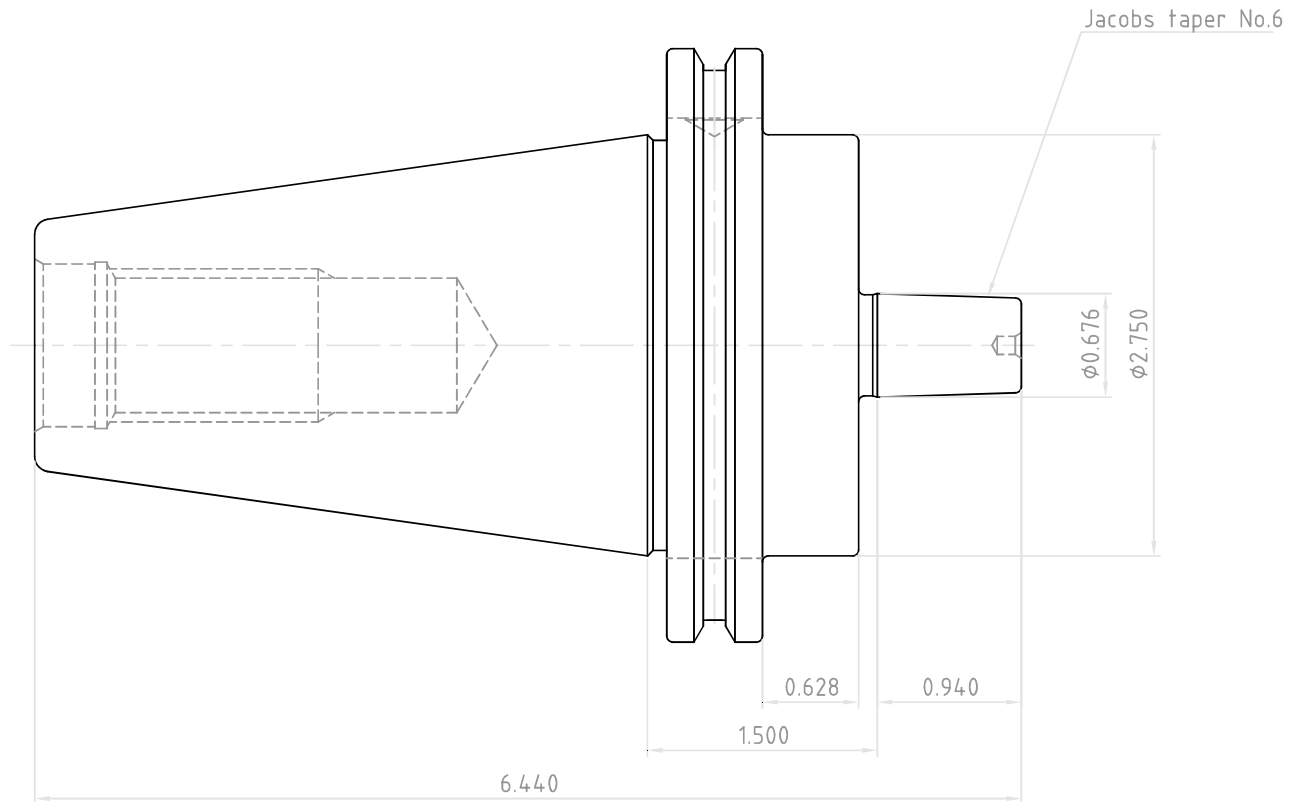


NO.	REVISIONS	DATE	DEVISER
1.			
2.			
3.			



 YG-1 CO., LTD.	DESCRIPTION		
	CAT50-JTA6-1.50(38.1)		
EDP No.	GL046	SCALE	1 : 1