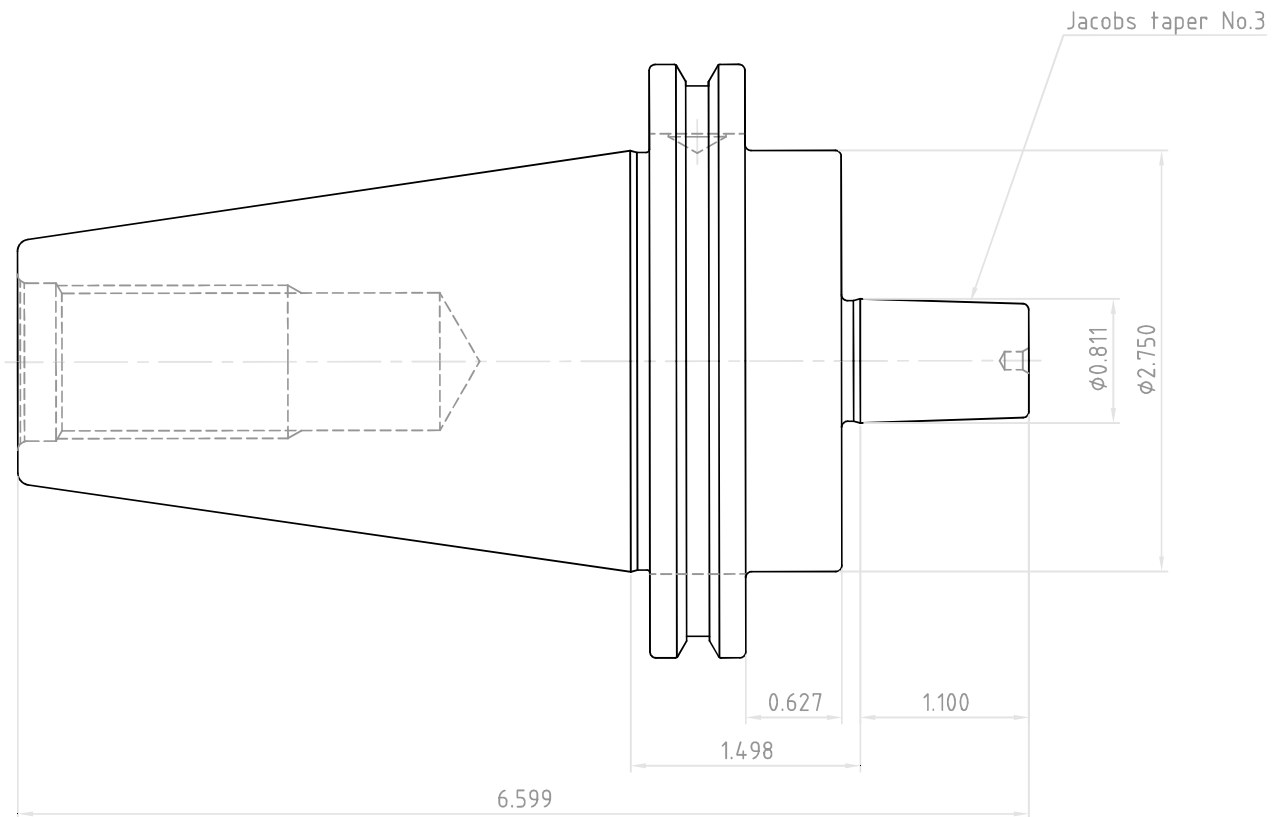



NO.	REVISIONS	DATE	DEVISER
1.			
2.			
3.			



 <b>YG-1 CO., LTD.</b>	DESCRIPTION		
	CAT50-JTA3-1.50(38.1)		
	EDP No.	GL044	SCALE 1 : 1