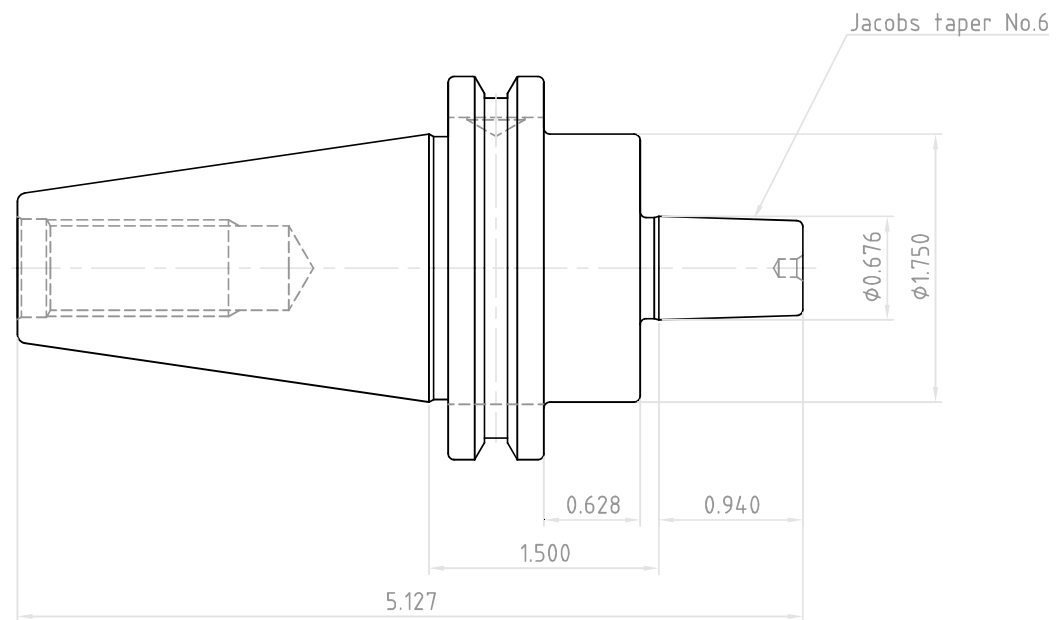


NO.	REVISIONS	DATE	DEVISER
1.			
2.			
3.			



 YG-1 CO., LTD.	DESCRIPTION		
	CAT40-JTA6-1.50(38.1)		
	EDP No.	GK046	SCALE 1 : 1